

Sundance

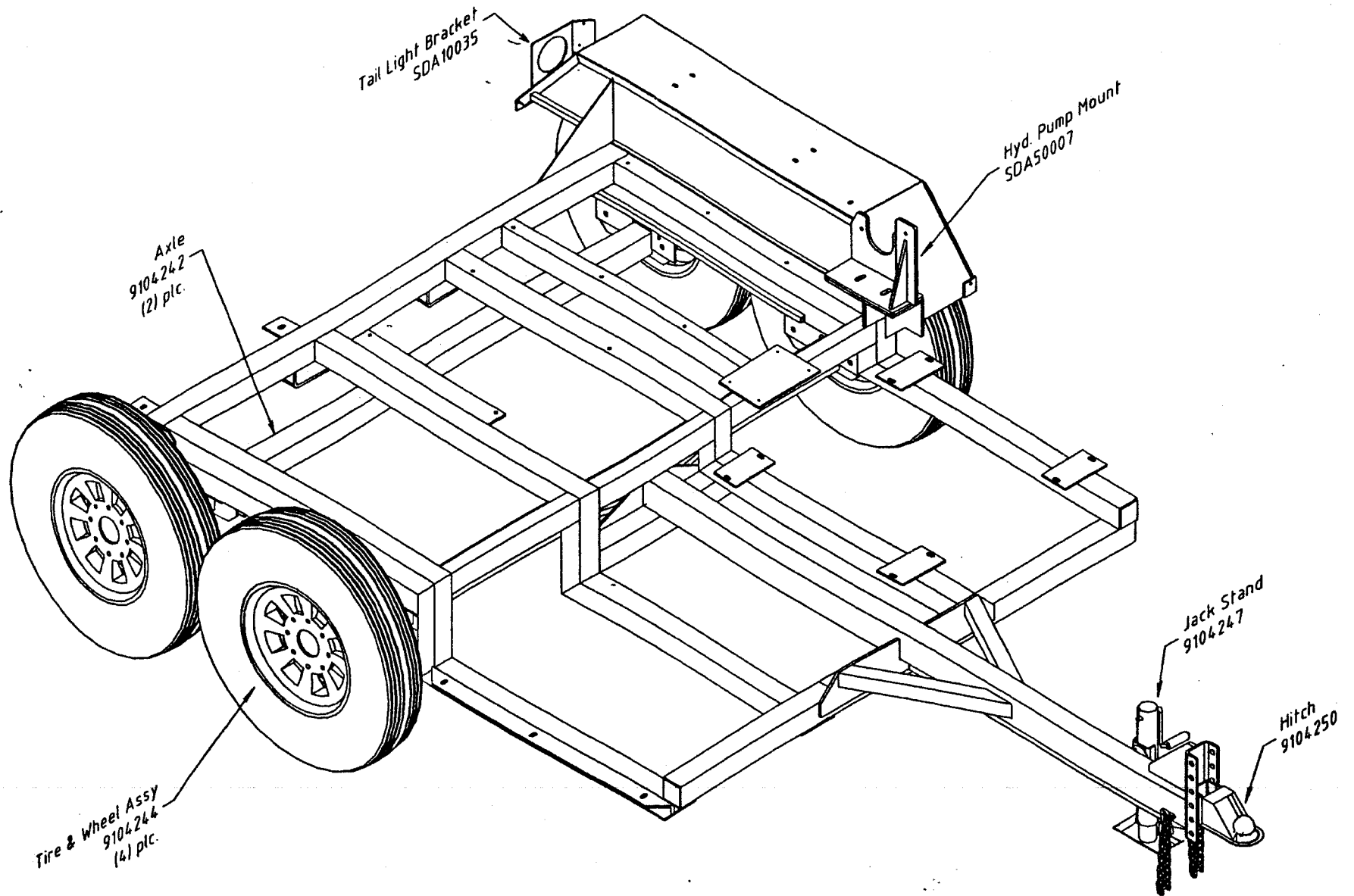
Kid II

Parts List

INDEX

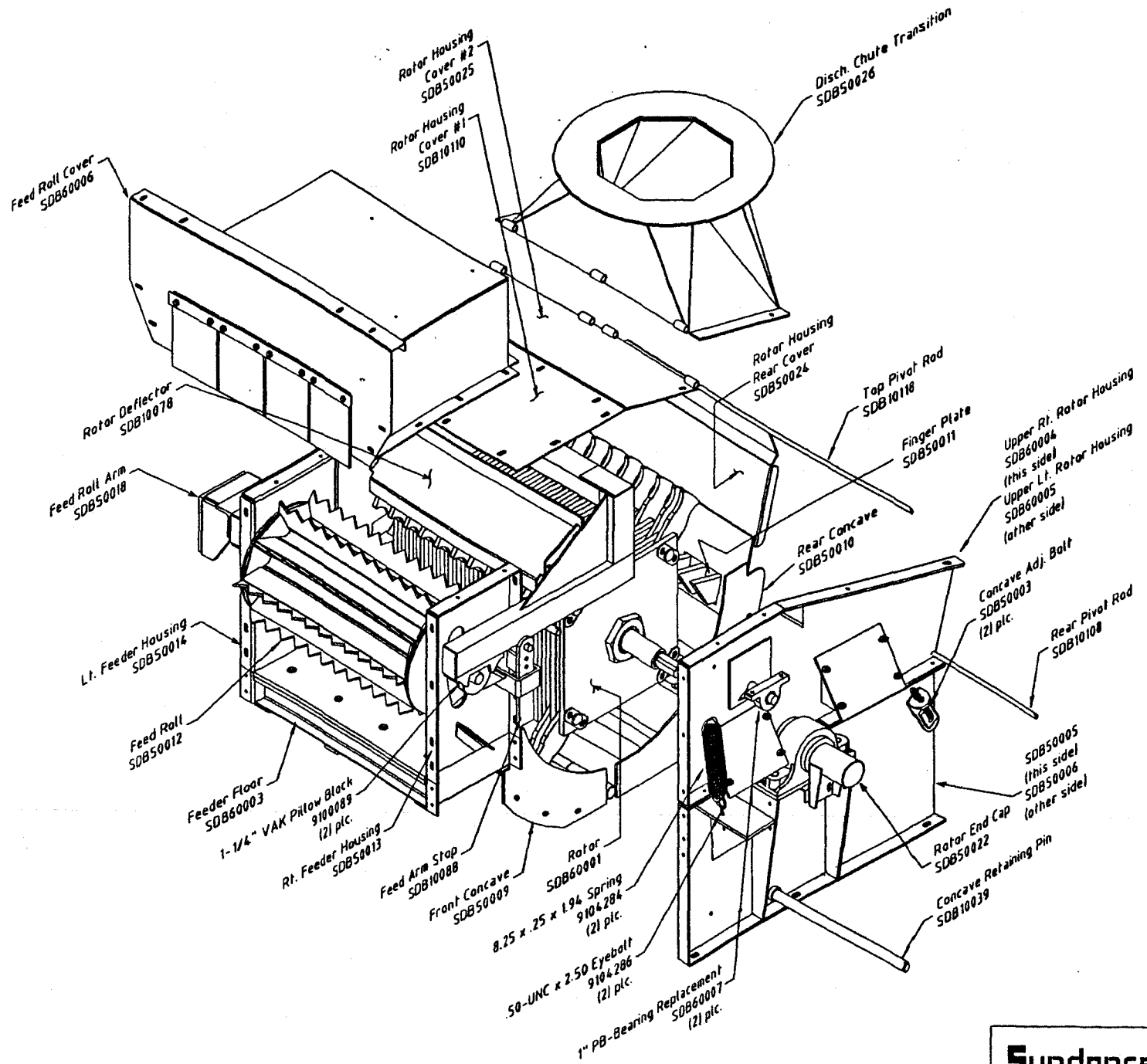
PAGE #	
1	TRAILER UNIT
2	ROTOR HOUSING & FEED ROLL
3	ROTOR ASSEMBLY
4	FRONT CONCAVE
5	REAR CONCAVE
6	FINGER PLATE
7	RAM (FEEDER) HOUSING ASSEMBLY
8	RAM (FEEDER) ASSEMBLY
9	RAM (FEEDER) WELD ASSEMBLY
10	RAM (FEEDER) TOP PLATE
11	HYDRAULIC CYLINDER MOUNT ASSEMBLY
12	DISCHARGE CHUTE
13	ENGINE COVER
14	FUEL TANK
15	HYDRAULIC RESERVOIR
16	HYDRAULIC RESERVOIR COVER
17	FEED ROLL SHAFT SHIELD
18	HYDRAULIC SCHEMATIC
19 - 21	CONTROL WIRING SCHEMATIC
22	RAM ASSEMBLY
23 - 24	STEIN CLUTCH

1

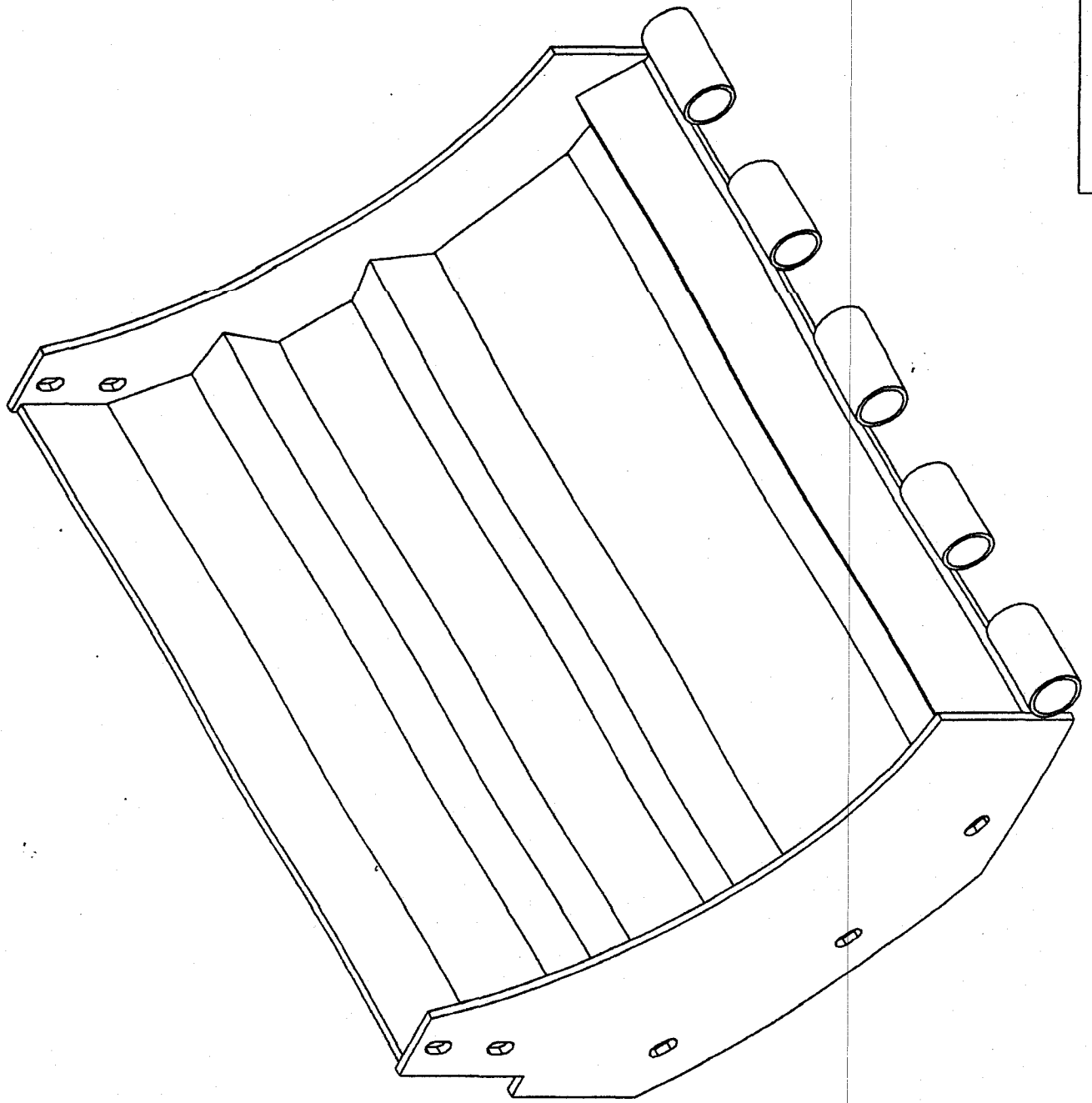


Sundance	KID-II	1998 -
	Trailer/SDA60001	

2

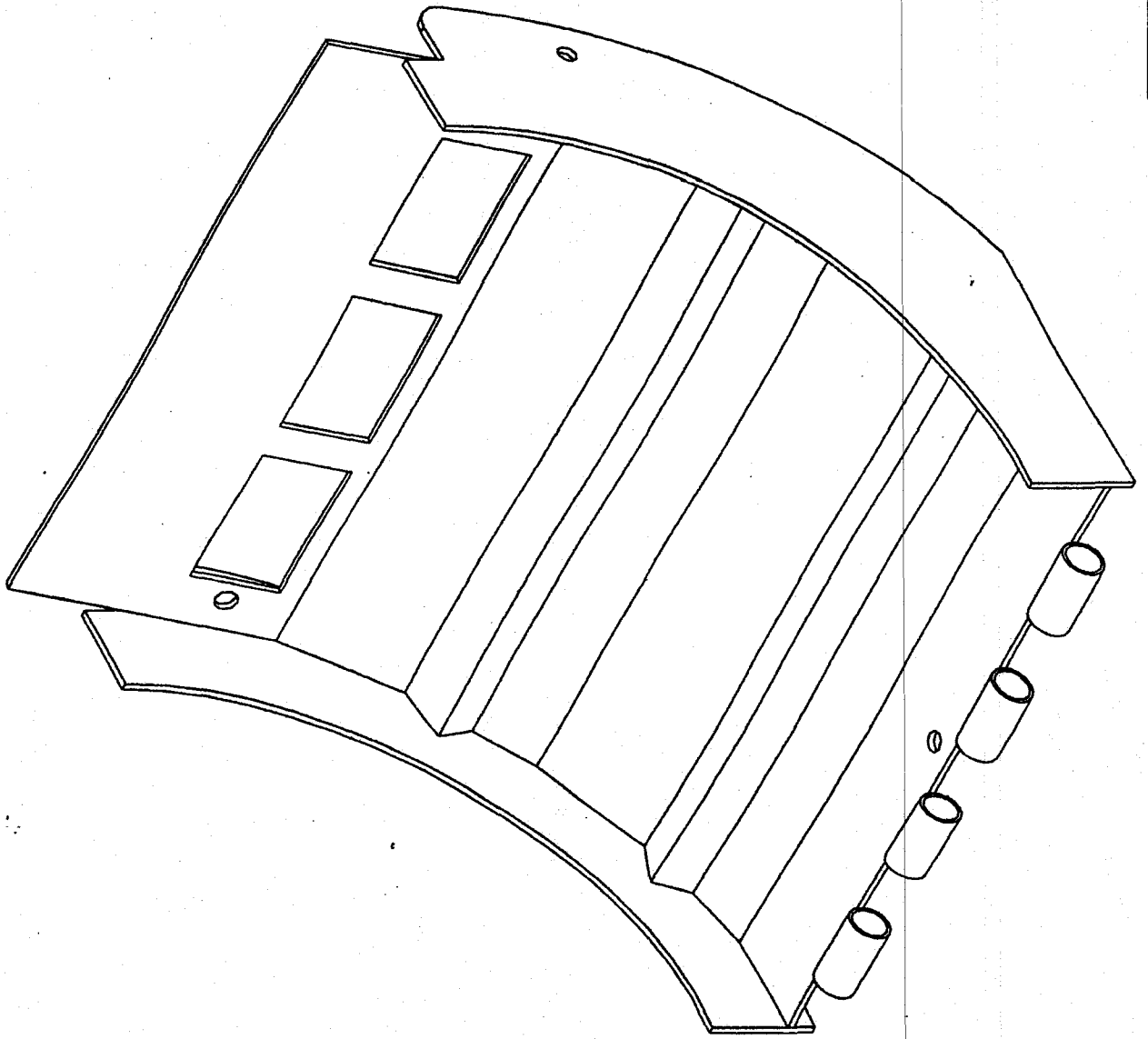


Sundance	KID-II	1998
	Rotor Housing/SDB60002	



KID-II 1998 -
Front Concave/SDB50009

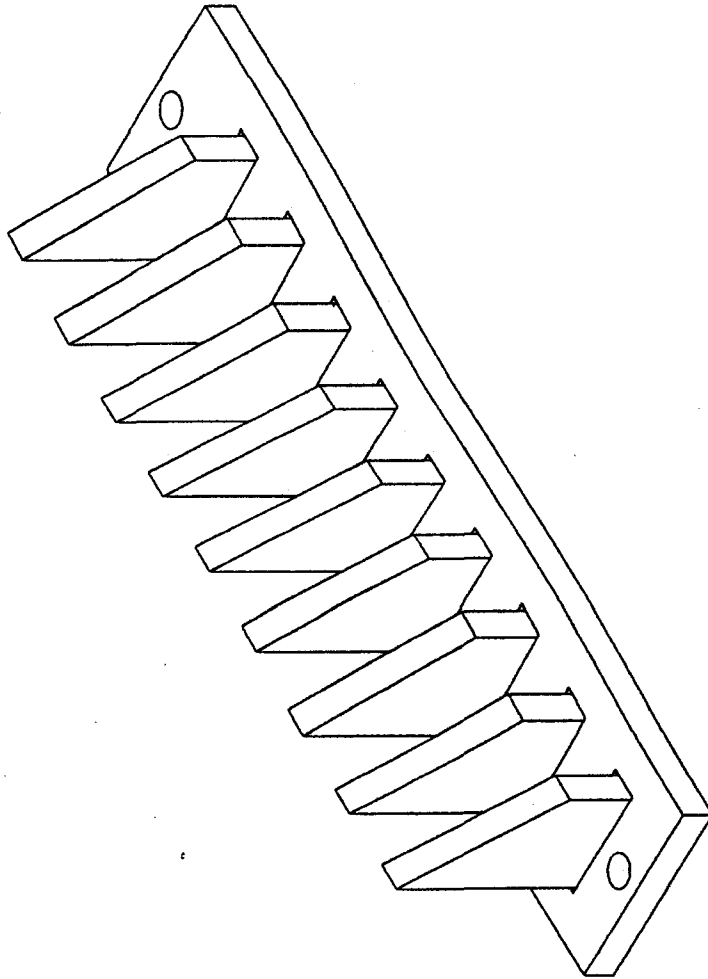
Sundance



KID-II 1998

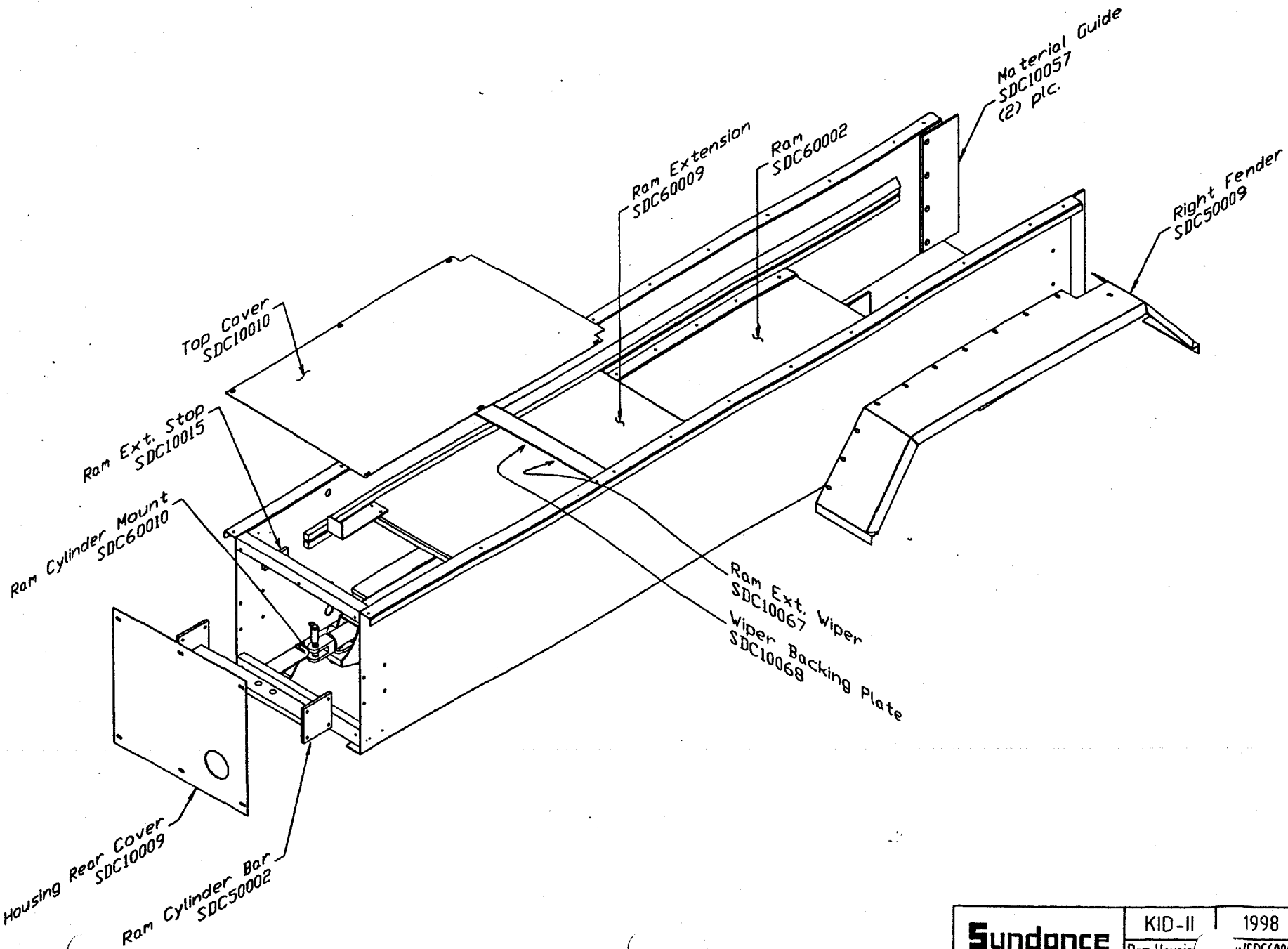
Rear Console/SDB50010

Sundance

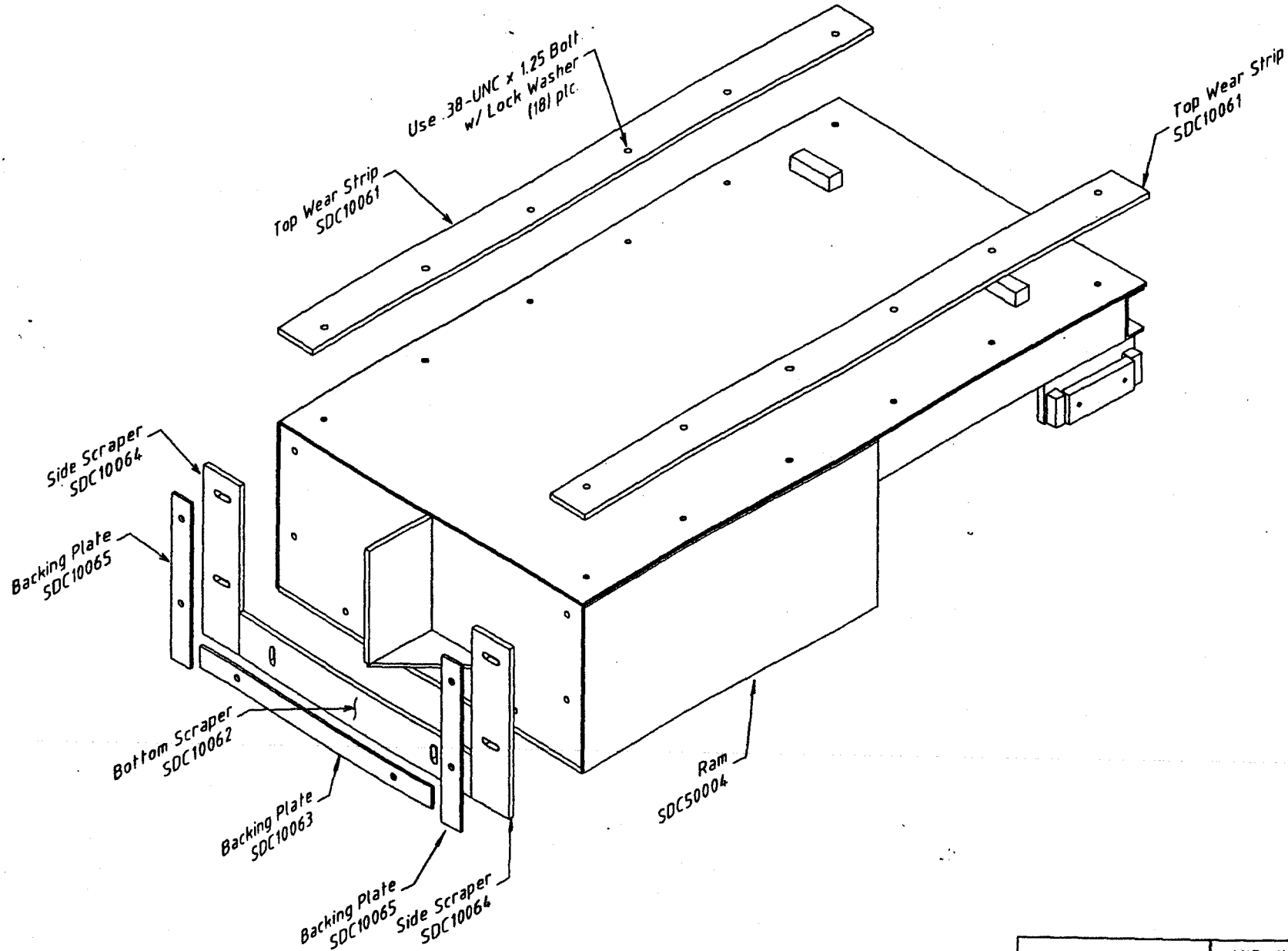


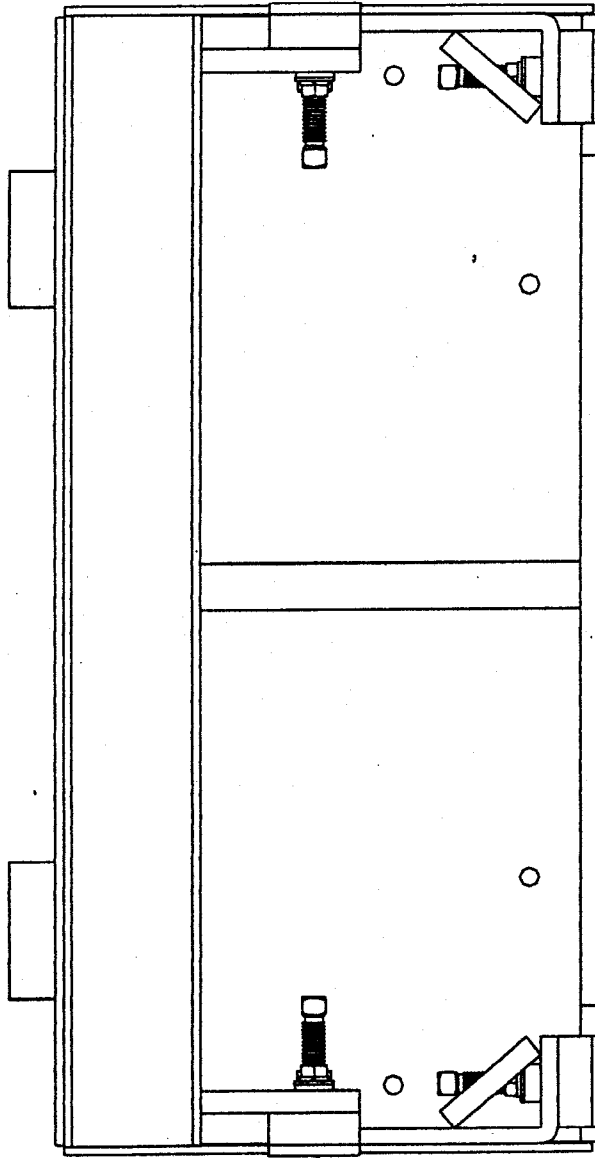
FRONT / DOWN →

7



Sundance	KID-II	1998 -
	Ram Housing	y/SDC60001





Nylatron Slide
SDC10033
(4) plc.

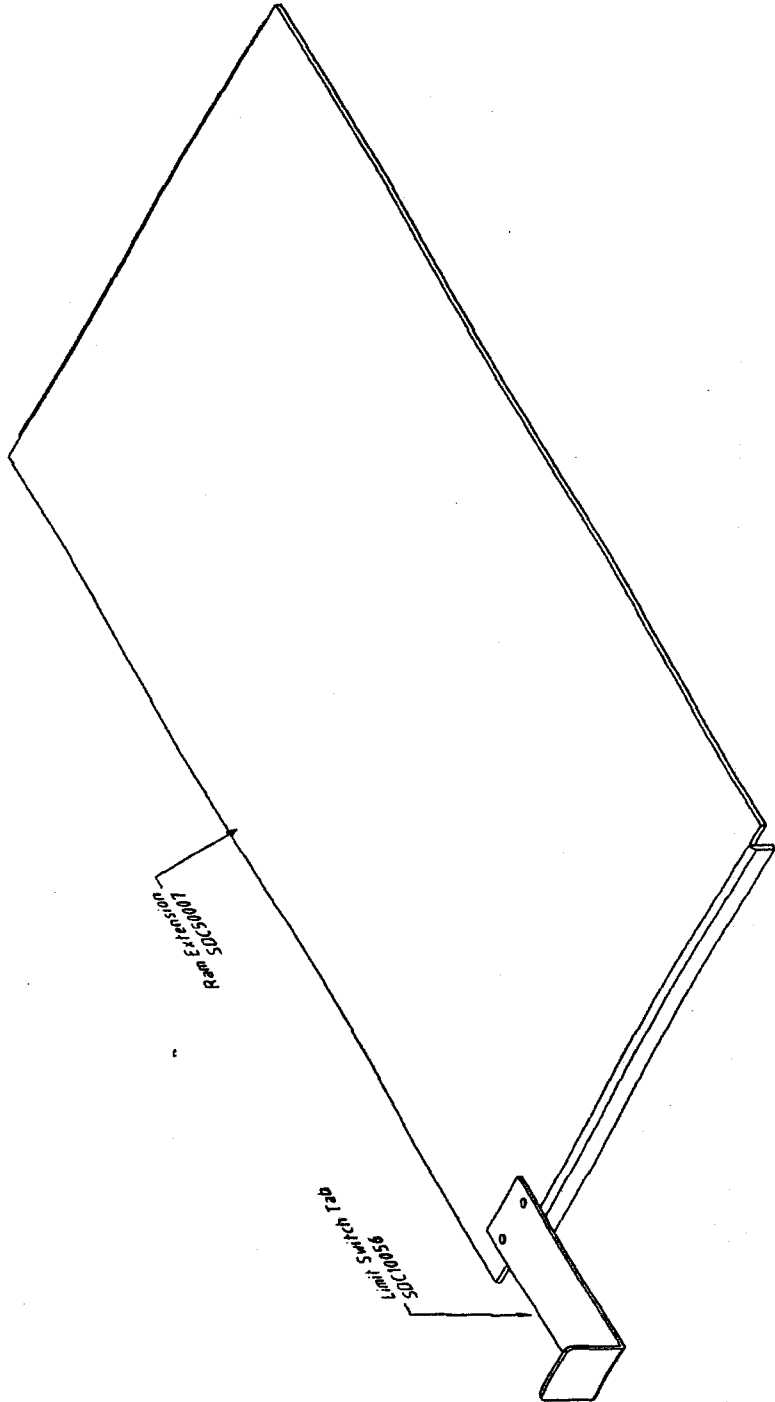
FRONT VIEW

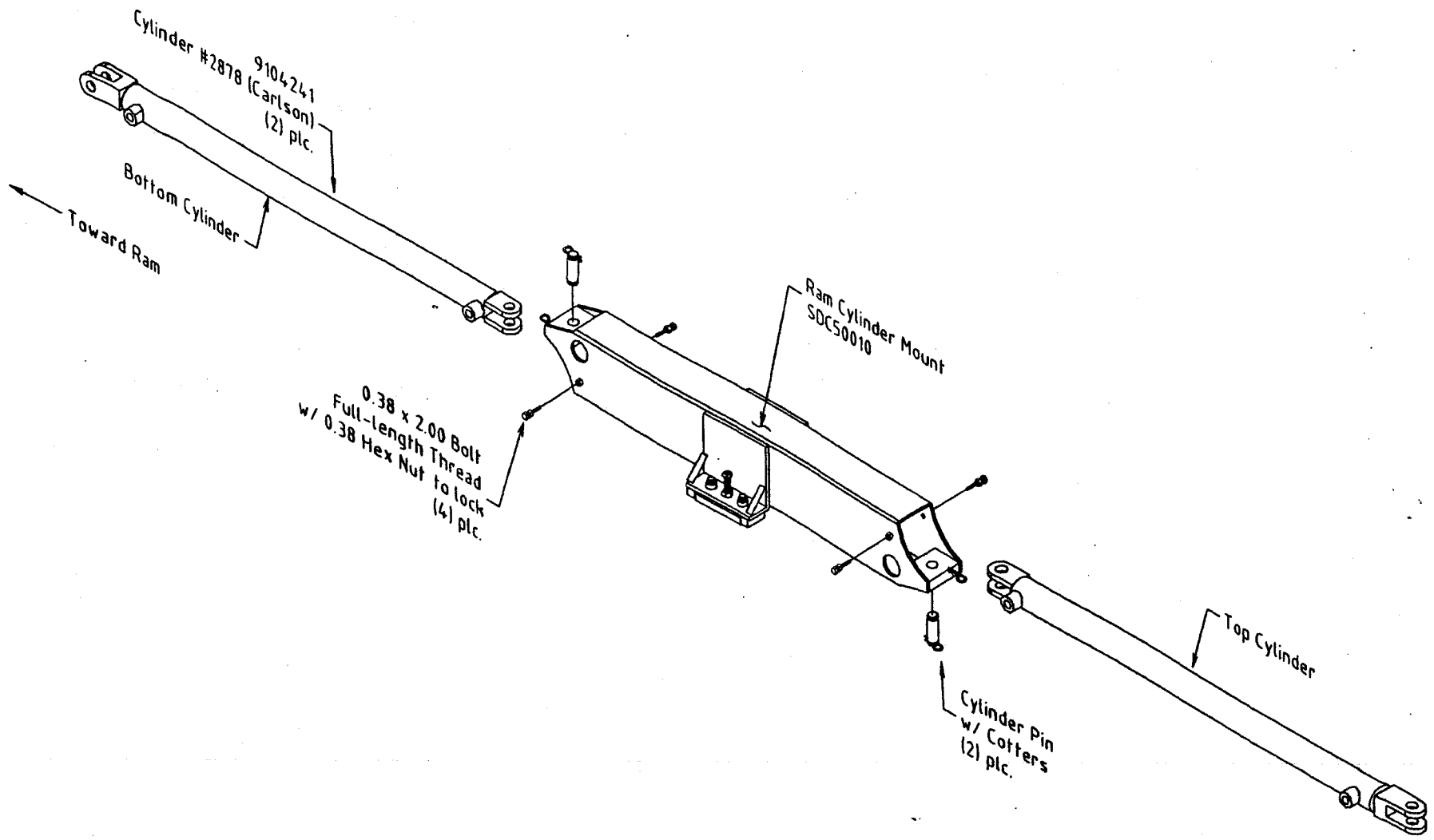
Sundance

KID-II
Ram Weld

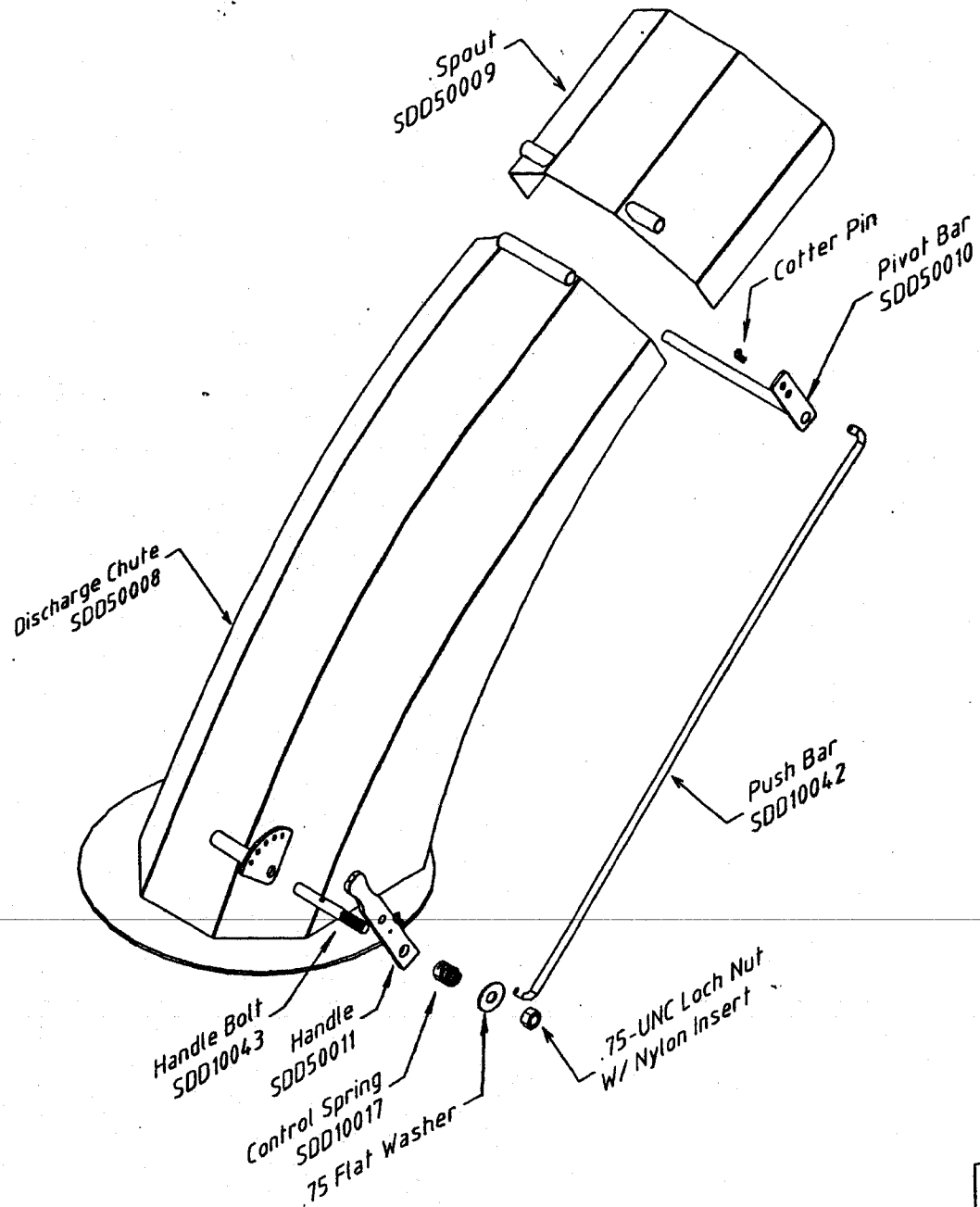
1998

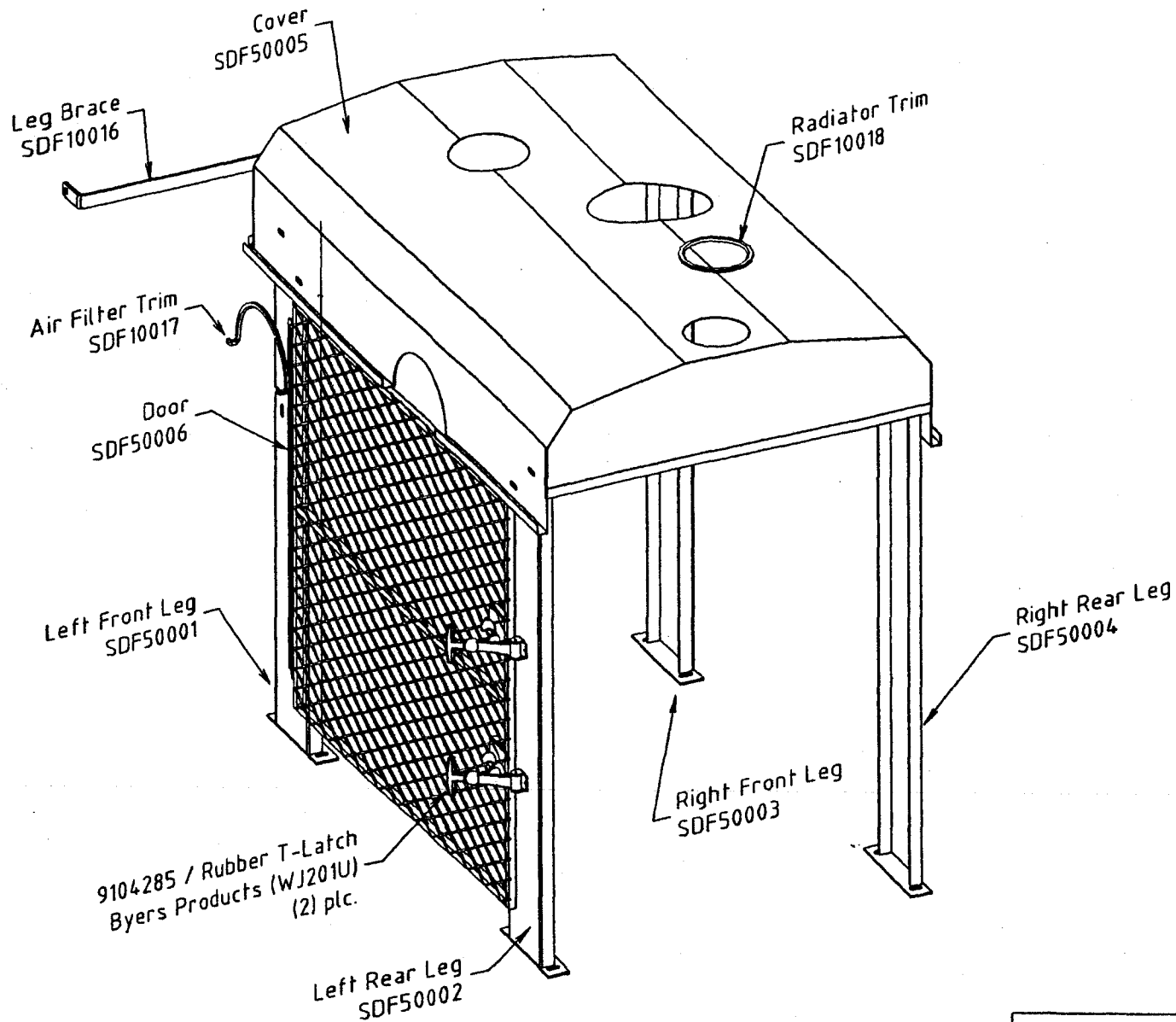
SDC50004

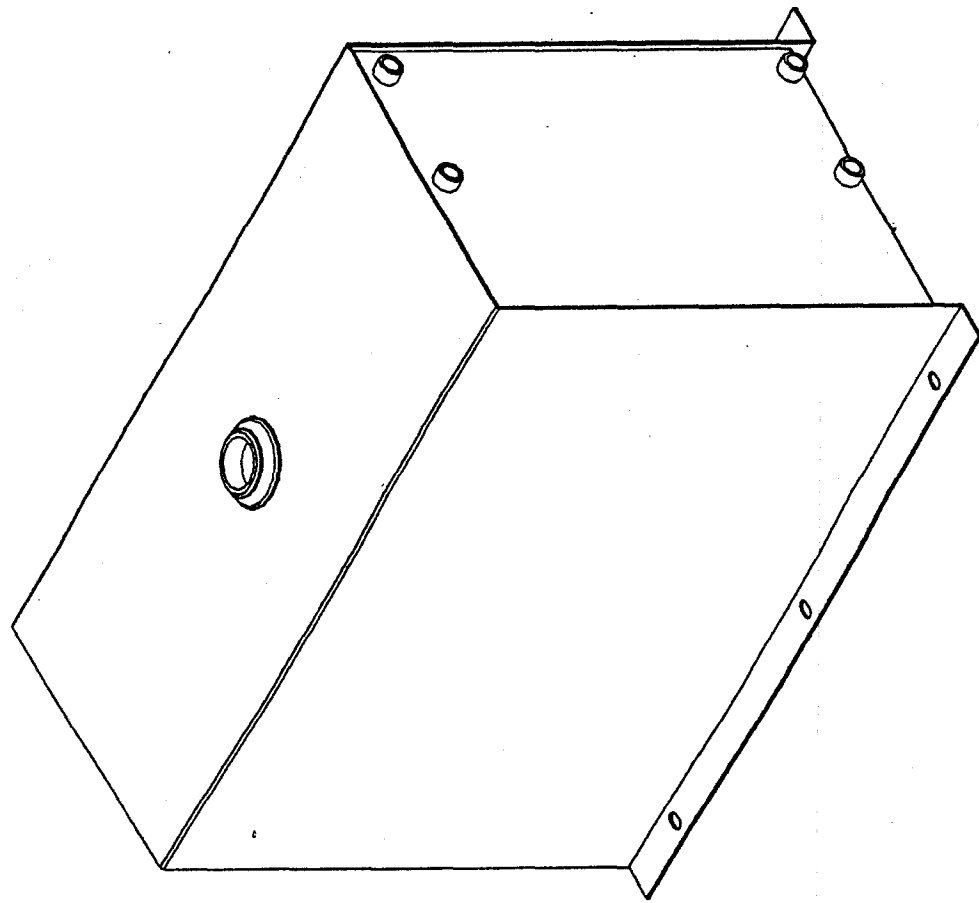


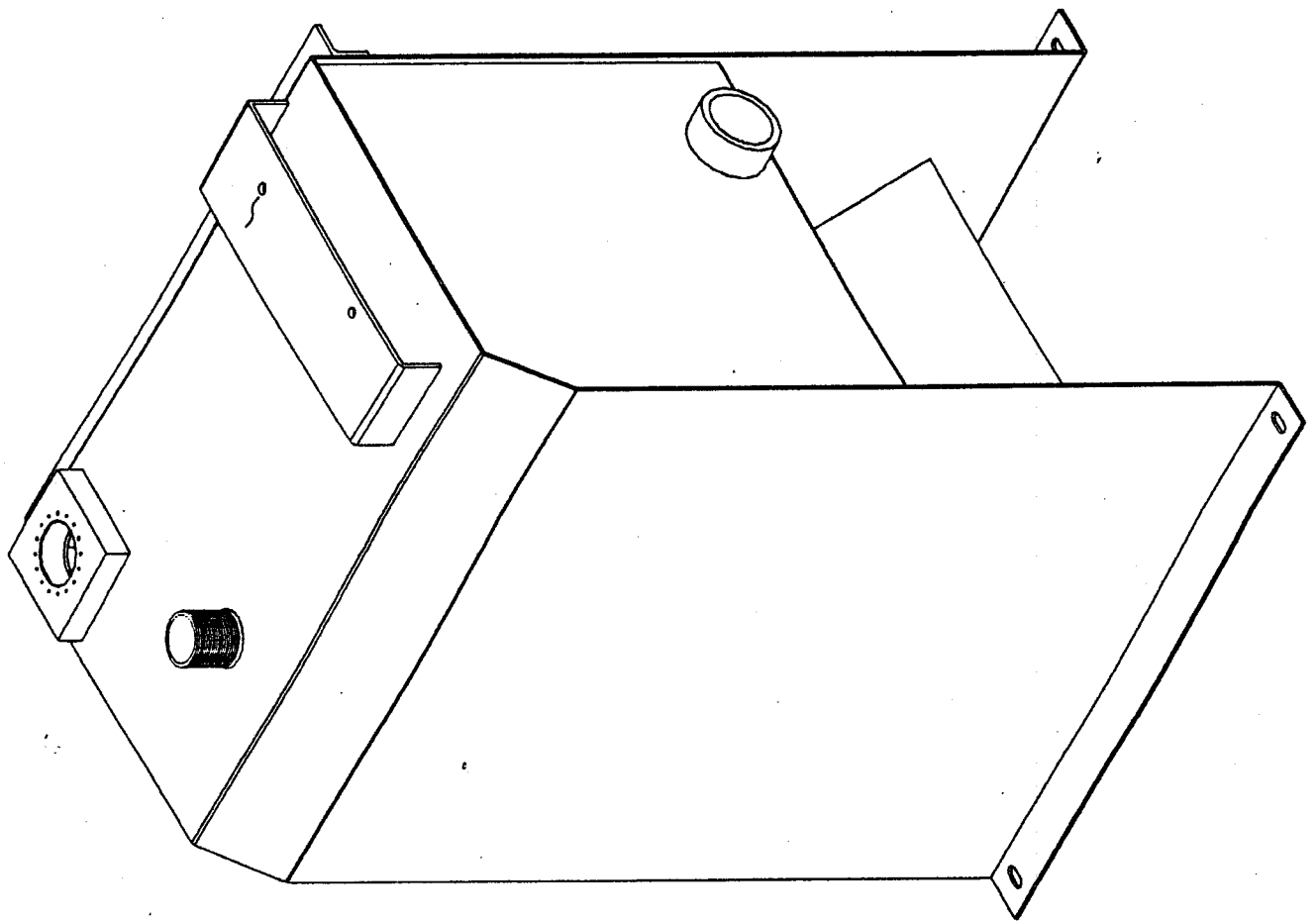


11





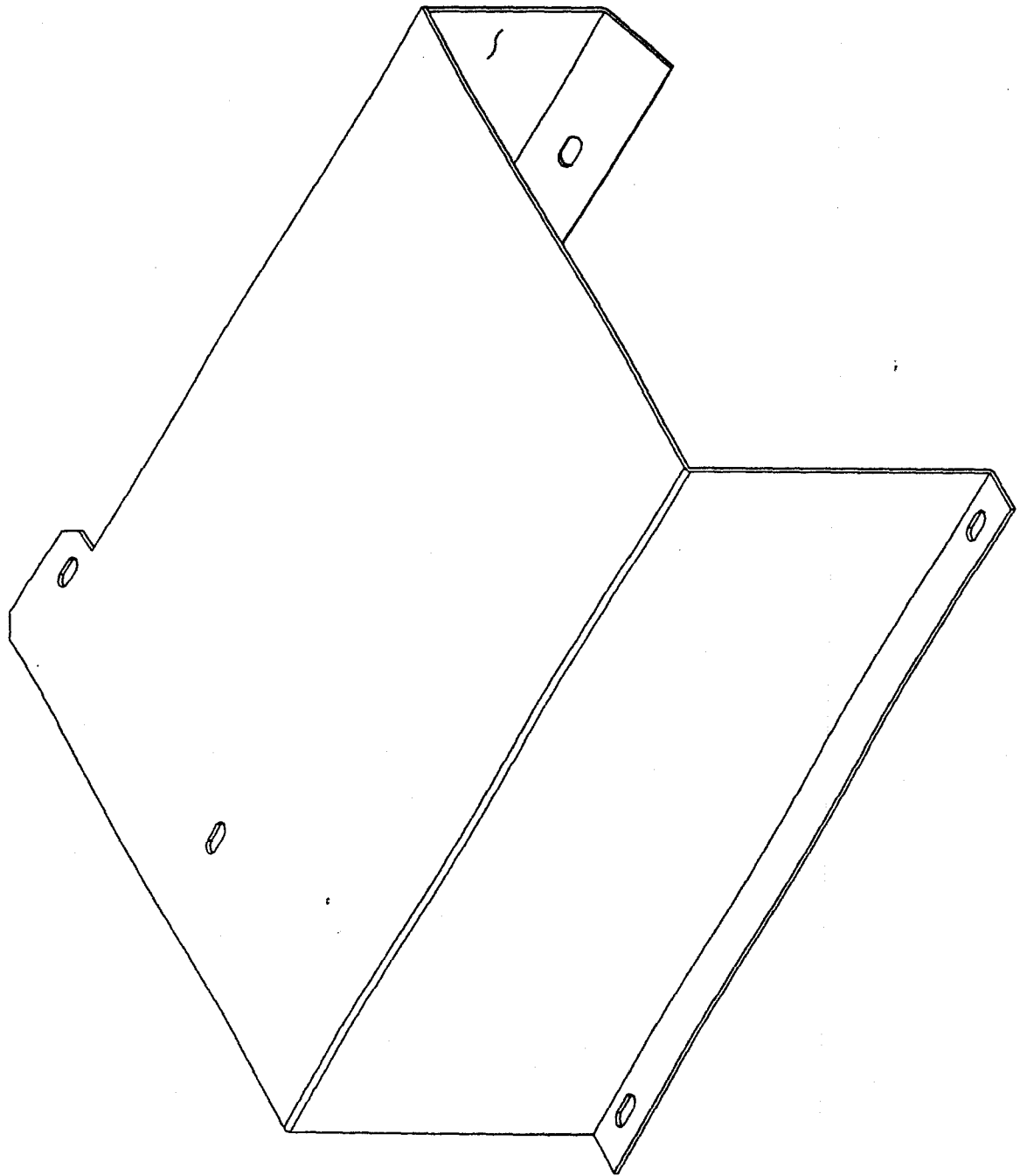


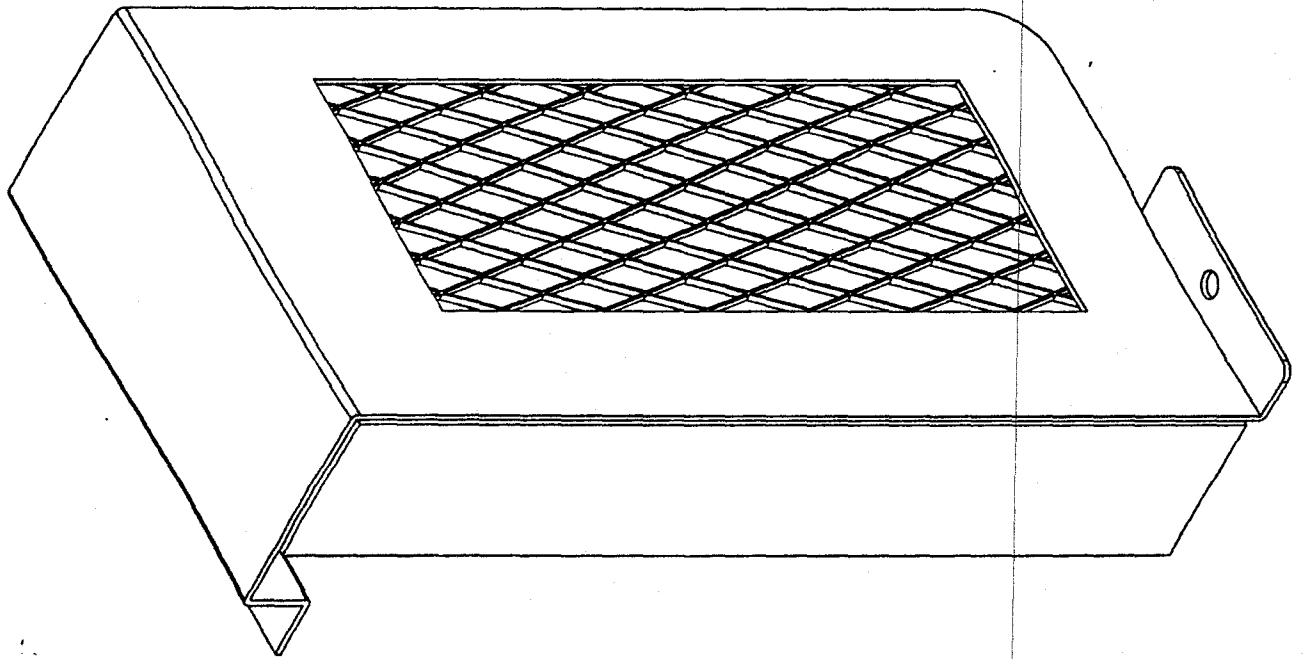


KID-II 1998

Hyd. Reservoir / SDK50002

Sundance

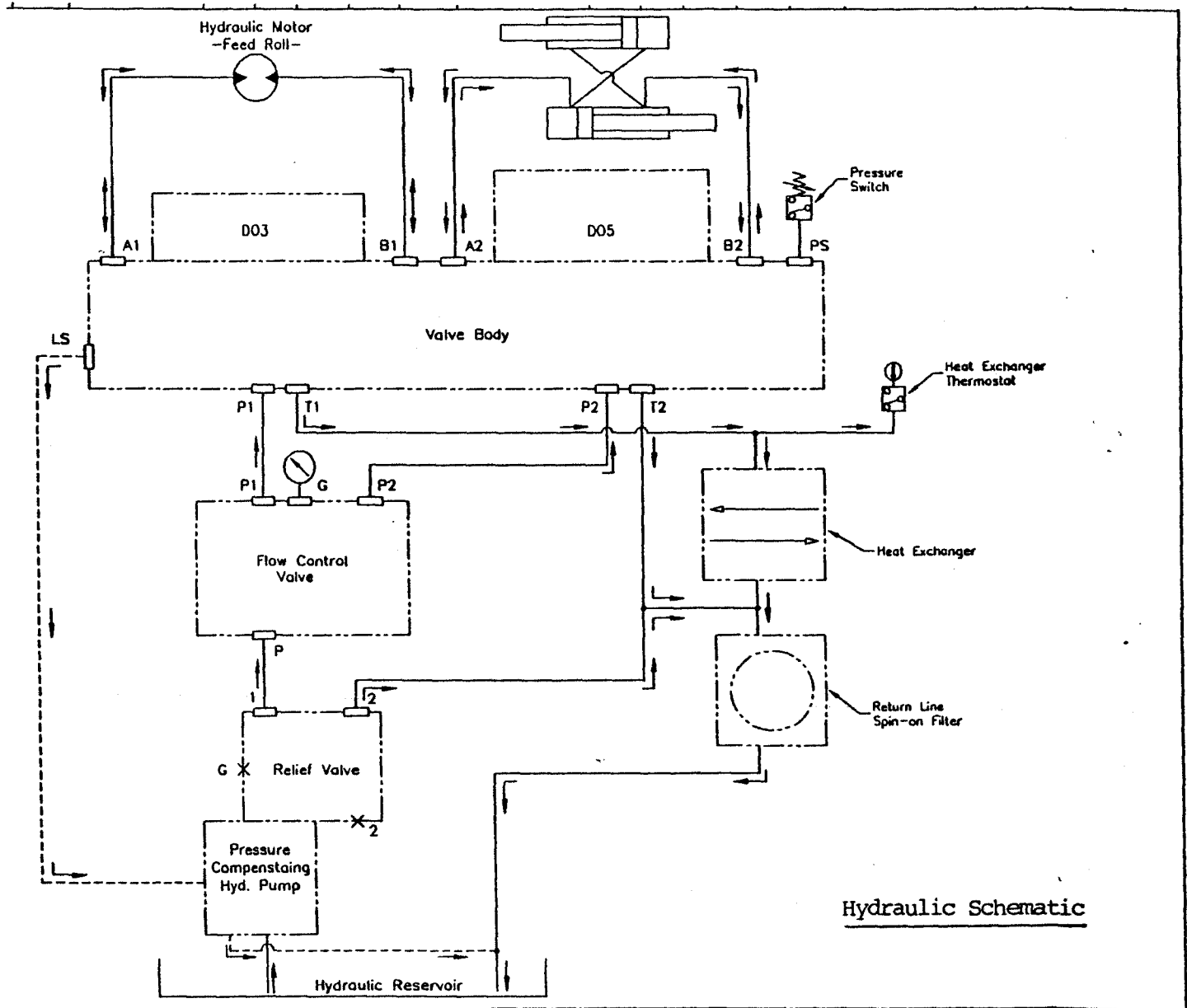




Sundance

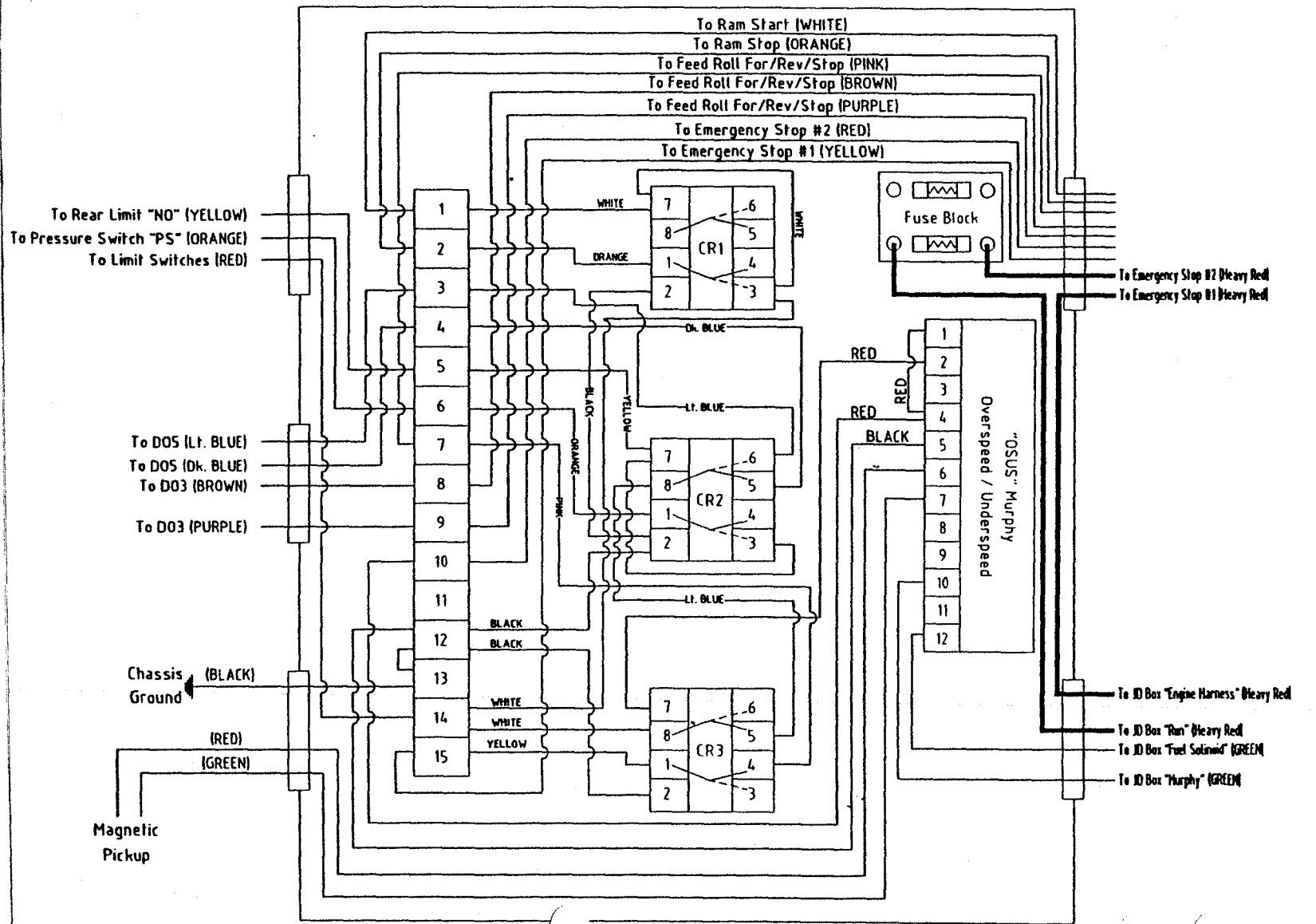
KID-II 1998 -

Feed Shaft Shield/SDB50023

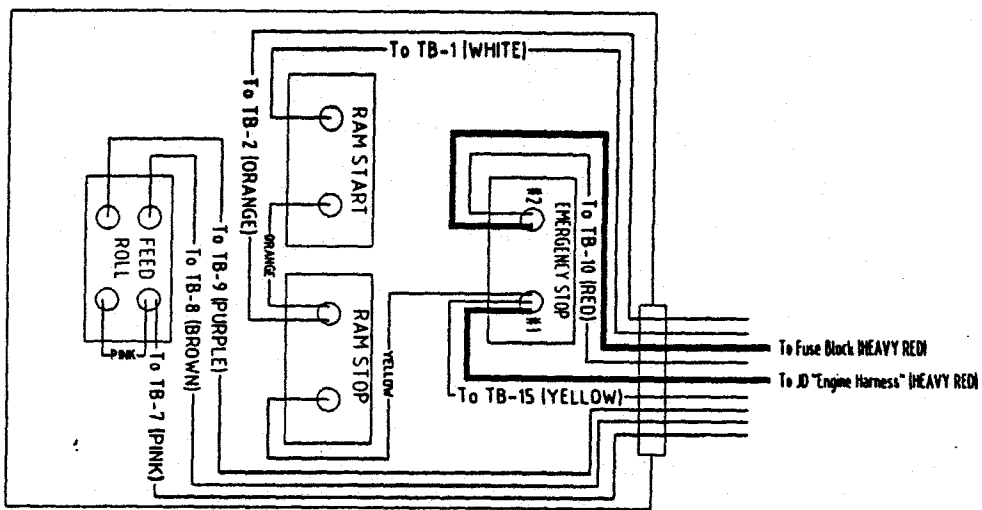


Hydraulic Schematic

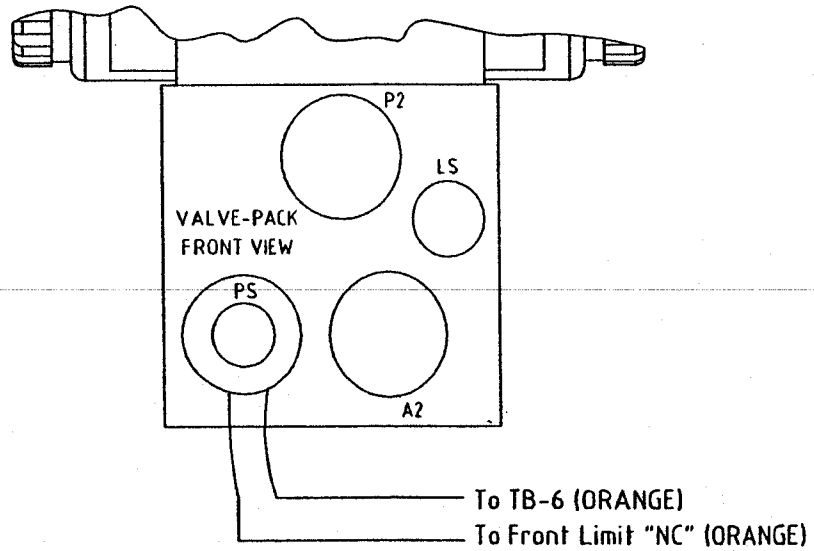
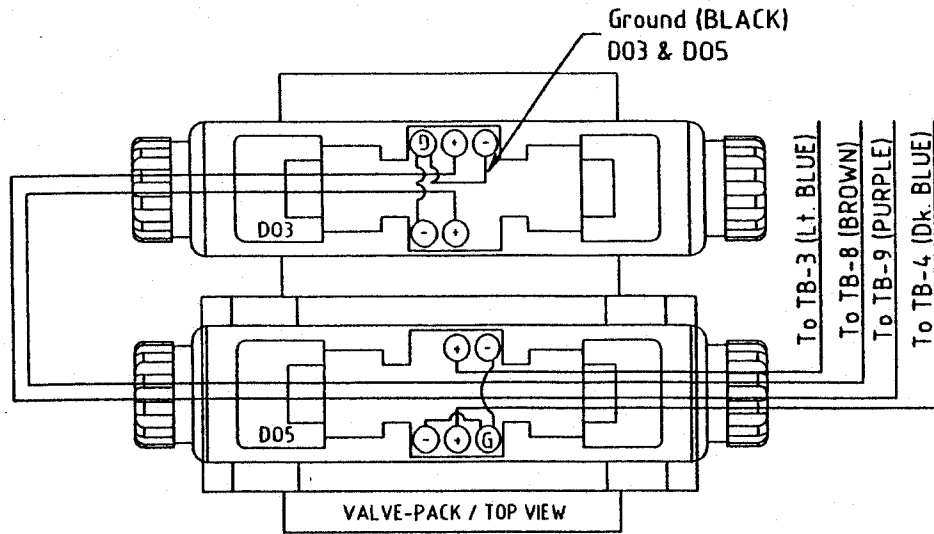
Control Wiring Schematic



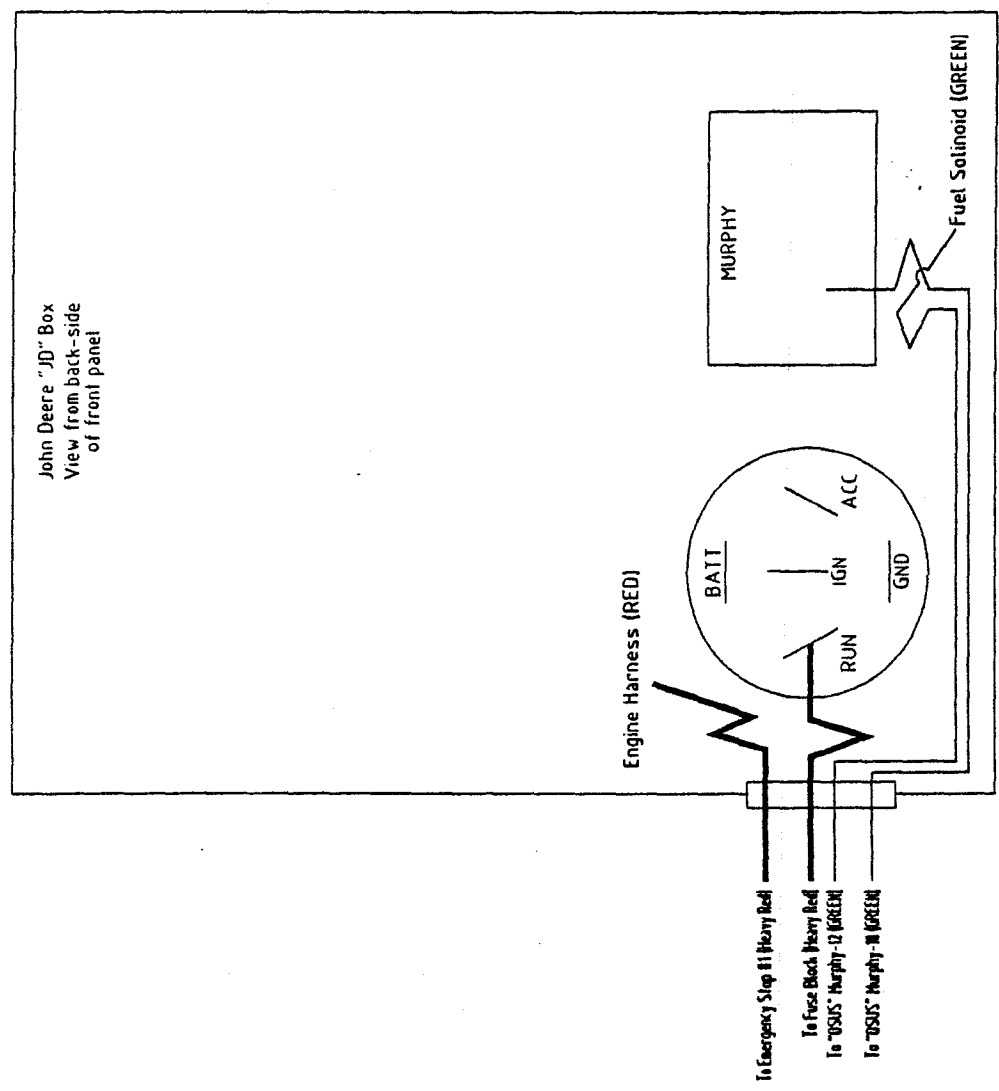
Control Wiring Schematic

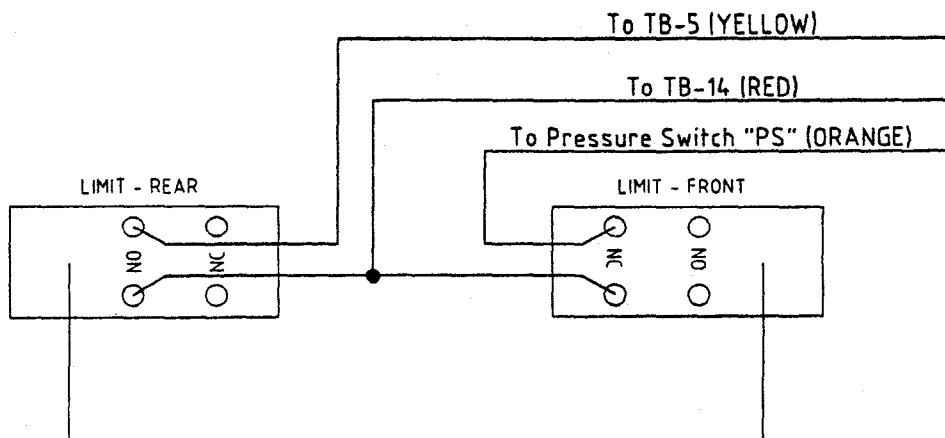


Control Wiring Schematic



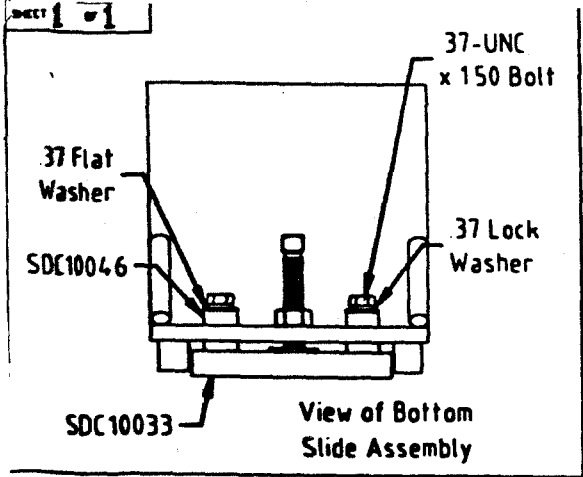
Control Wiring Schematic



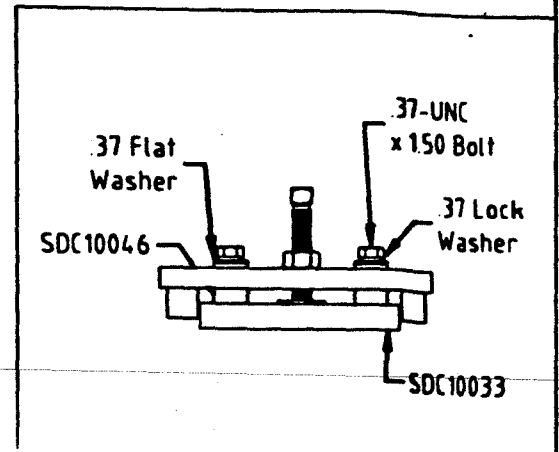
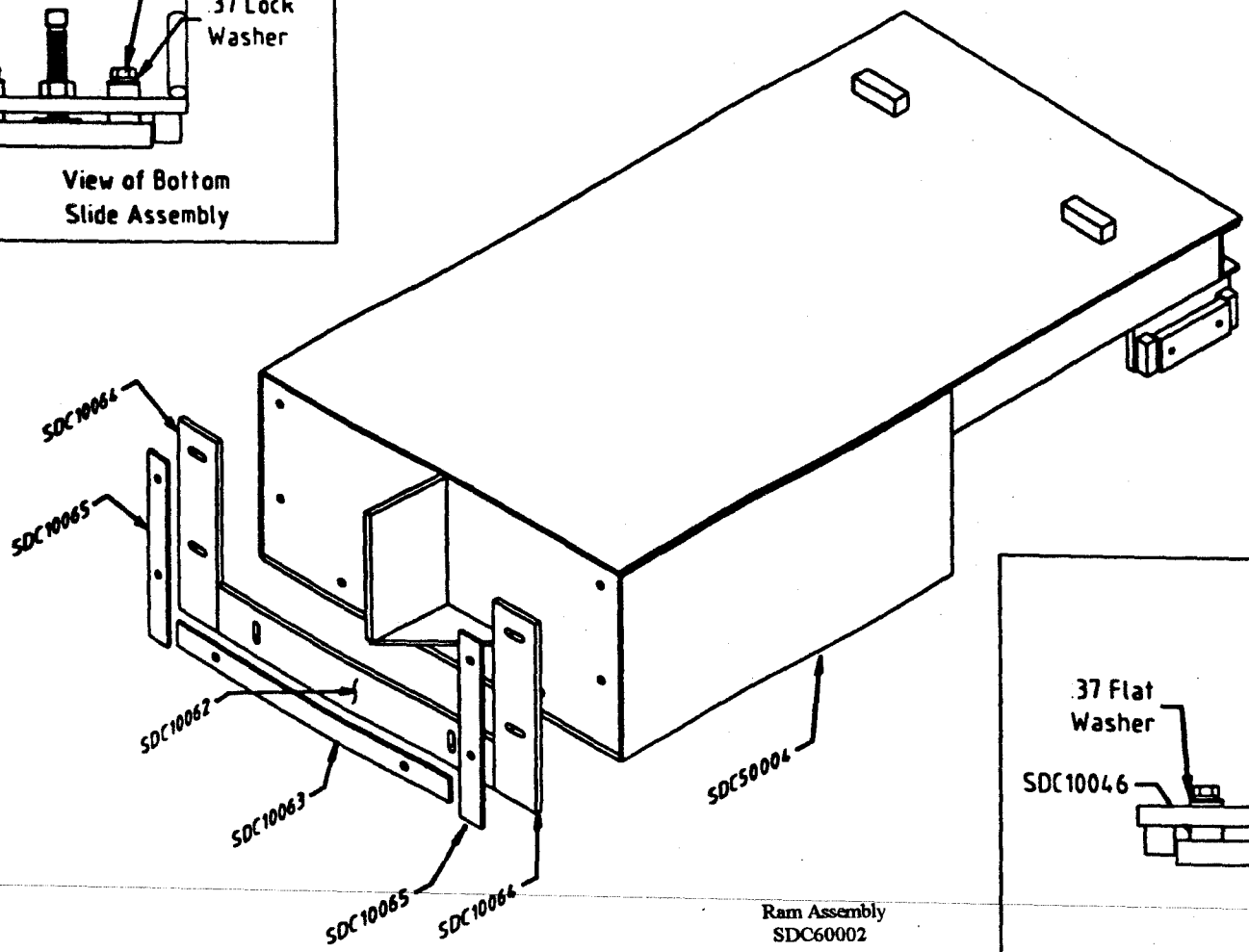


Control Wiring Schematic

Sheet 1 of 1



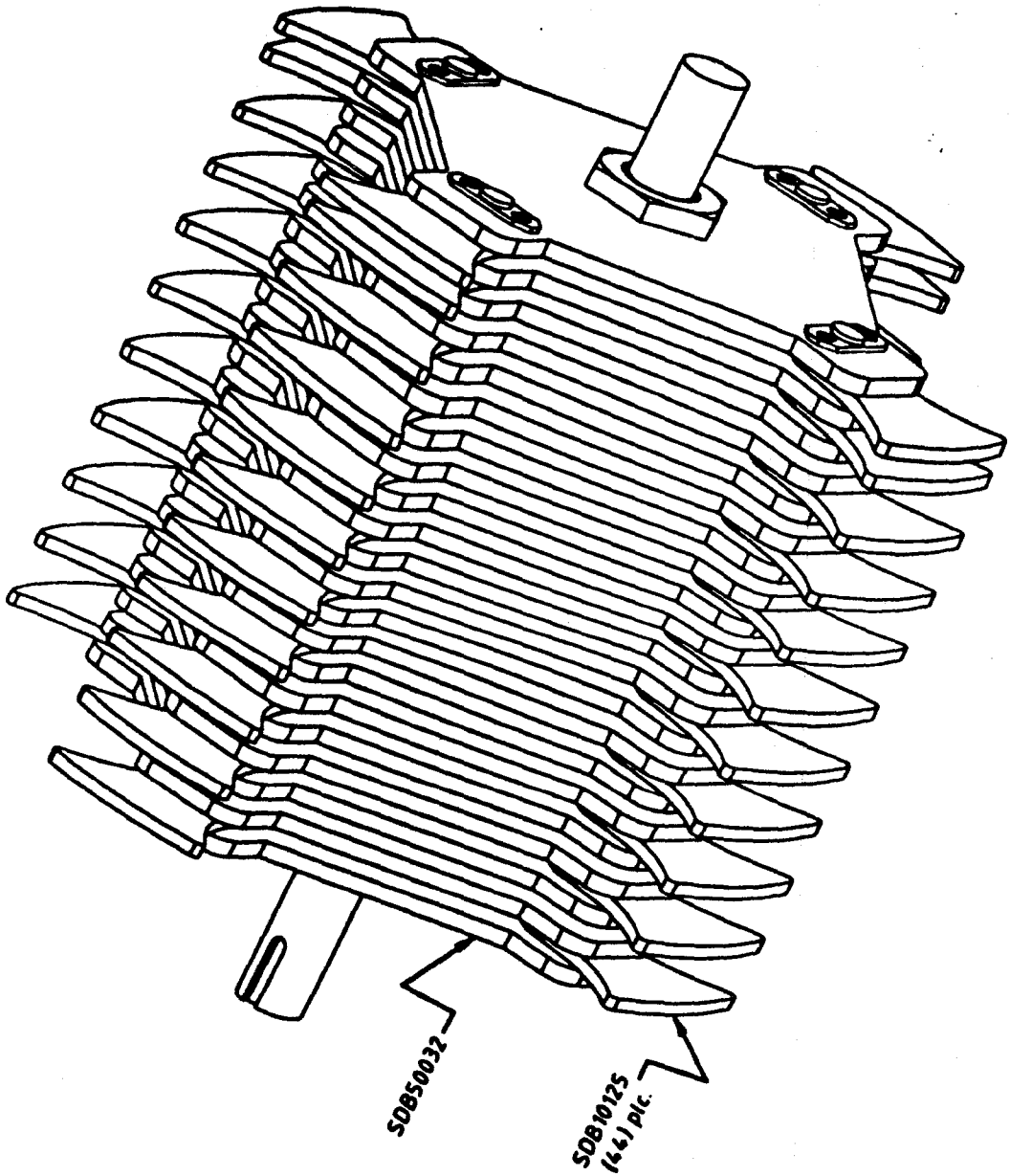
RAM ASSEMBLY



MATERIAL

SEE DRAWING 3702.10 FOR DIMENSIONS

NEW ROTOR ASSEMBLY



New Rotor Assembly
SDB60008

MATERIAL

REVISED IN 1962
DRAWN BY 1001

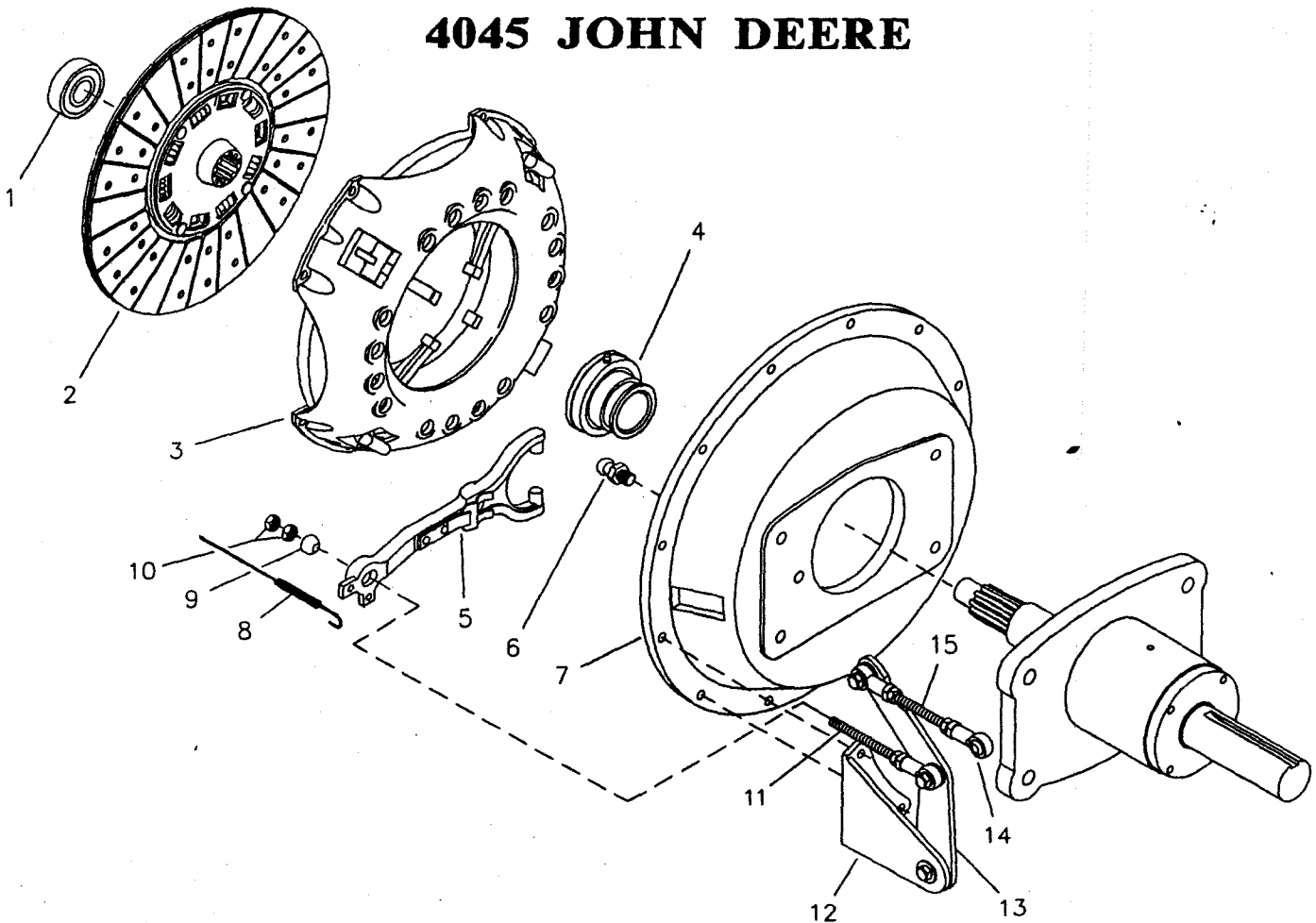
Stein Manufacturing, Inc.

4030 So. Wabash Ave. Hastings, NE 68901

402-463-8453

SIDE LOAD PTO #1920

4045 JOHN DEERE



REF.	PART NO.	DESCRIPTION	REF.	PART NO.	DESCRIPTION
1	SM305	PILOT BEARING	9		CLUTCH FORK PIVOT
2	280629	CLUTCH DISC ASSEMBLY 13"	10		3/8-24 NUT
3	260539	CLUTCH PRESSURE PLATE 13"	11	3-226	3/8-24 X 3-1/4 LONG ROD
4	SM1425	CLUTCH RELEASE BEARING	12	3-224	PIVOT BRACKET
5	SM7515	CLUTCH RELEASE FORK	13	3-223	PIVOT ARM
6	SM7522	CLUTCH FORK BALL	14	3-218	3/8-24 BALL JOINT
7	1831	CLUTCH ASSEMBLY HOUSING	15	3-225	3/8-24 X 2-1/2 LONG ROD
8		CLUTCH RETURN SPRING			

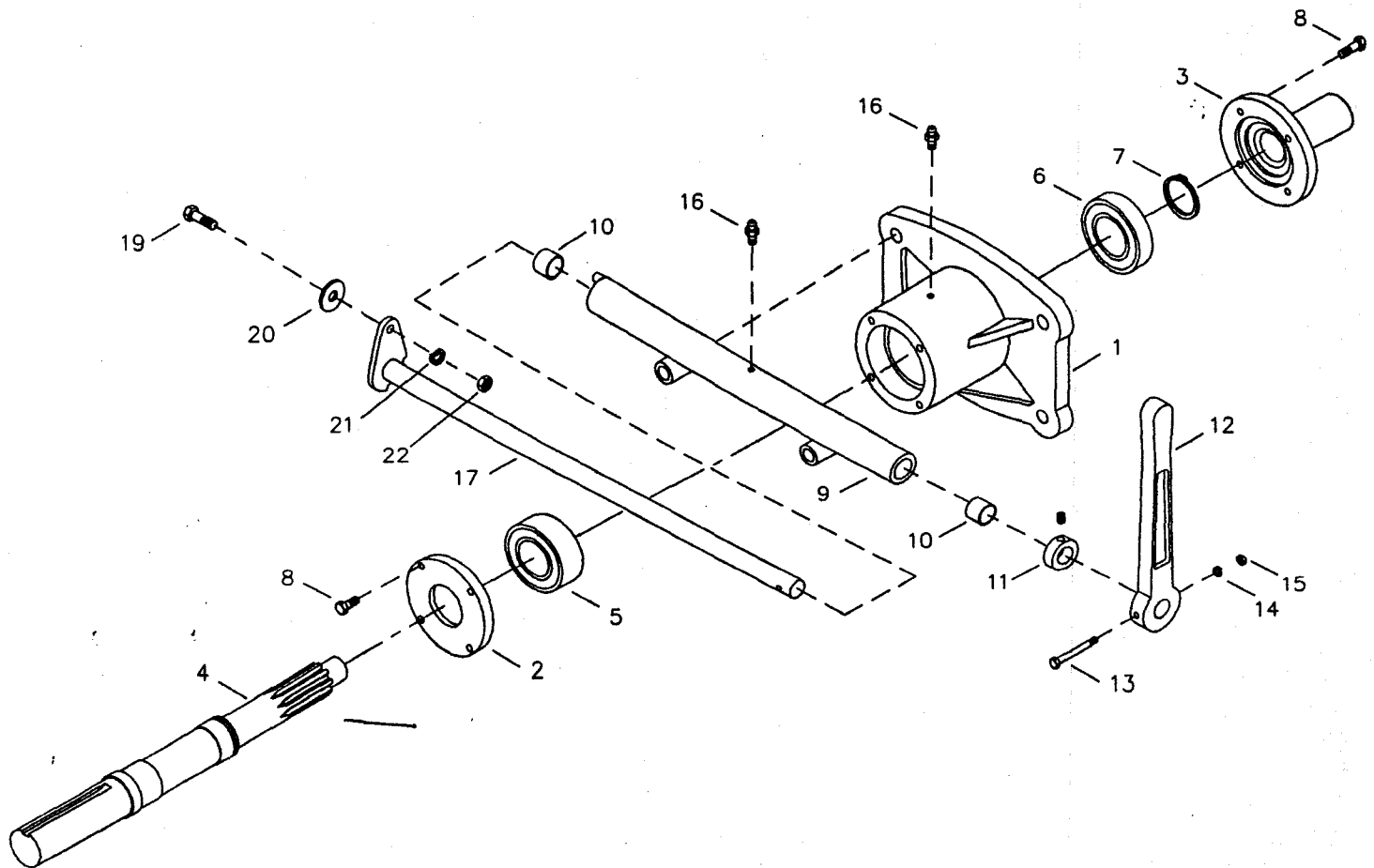
Stein Manufacturing, Inc.

4030 So. Wabash Ave. Hastings, NE 68901

402-463-8453

SIDE LOAD PTO

400 SERIES F1B



REF NO.	PART NO	DESCRIPTION	REF NO.	PART NO.	DESCRIPTION
1	400-201	BEARING HOUSING	15		1/4-20 NUT
2	400-202	BEARING RETAINER CAP	16		1/4-28 UNF GREASE FITTING (QTY. 2)
3	400-203	THROWOUT BEARING COLLAR	17	400-217	PIVOT SHAFT
4	400-204	DRIVE SHAFT	--		
5	400-205	FRONT BEARING	19		3/8-24 x 1 1/4" HEX HD. CAP SCR. (QTY. 3)
6	400-206	REAR BEARING	20		3/8 FLAT WASHER (QTY. 3)
7	400-207	SNAP RING	21		3/8 LOCK WASHER (QTY. 3)
8		5/16-18 X 1" HEX HD. CAP SCR.(QTY. 8)	22		3/8-24 NUT. (QTY. 8)
9	400-209	PIVOT SHAFT TUBE			
10	400-210	7/8" ID x 1" OD x 3/4" BUSHING (QTY. 2)			
11	400-211	7/8" SET COLLAR			
12	400-212	HANDLE			
13		1/4-20 x 2 1/2" HEX HD. CAP SCR.			
14		1/4" LOCK WASHER			