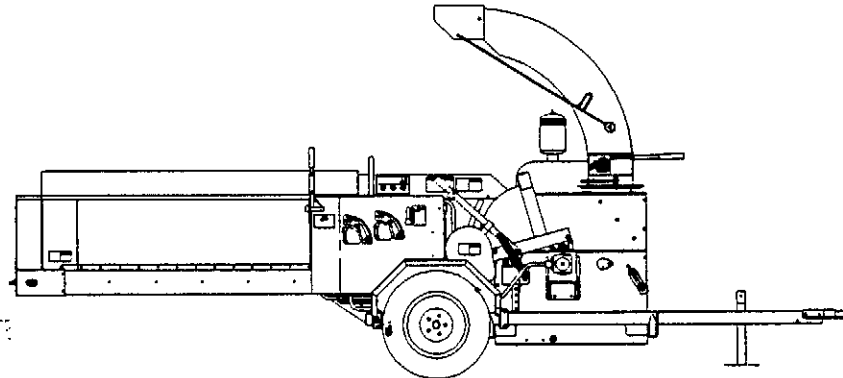




MANUFACTURED BY  
**THE EGGING CO.**  
GURLEY NEBRASKA 69141

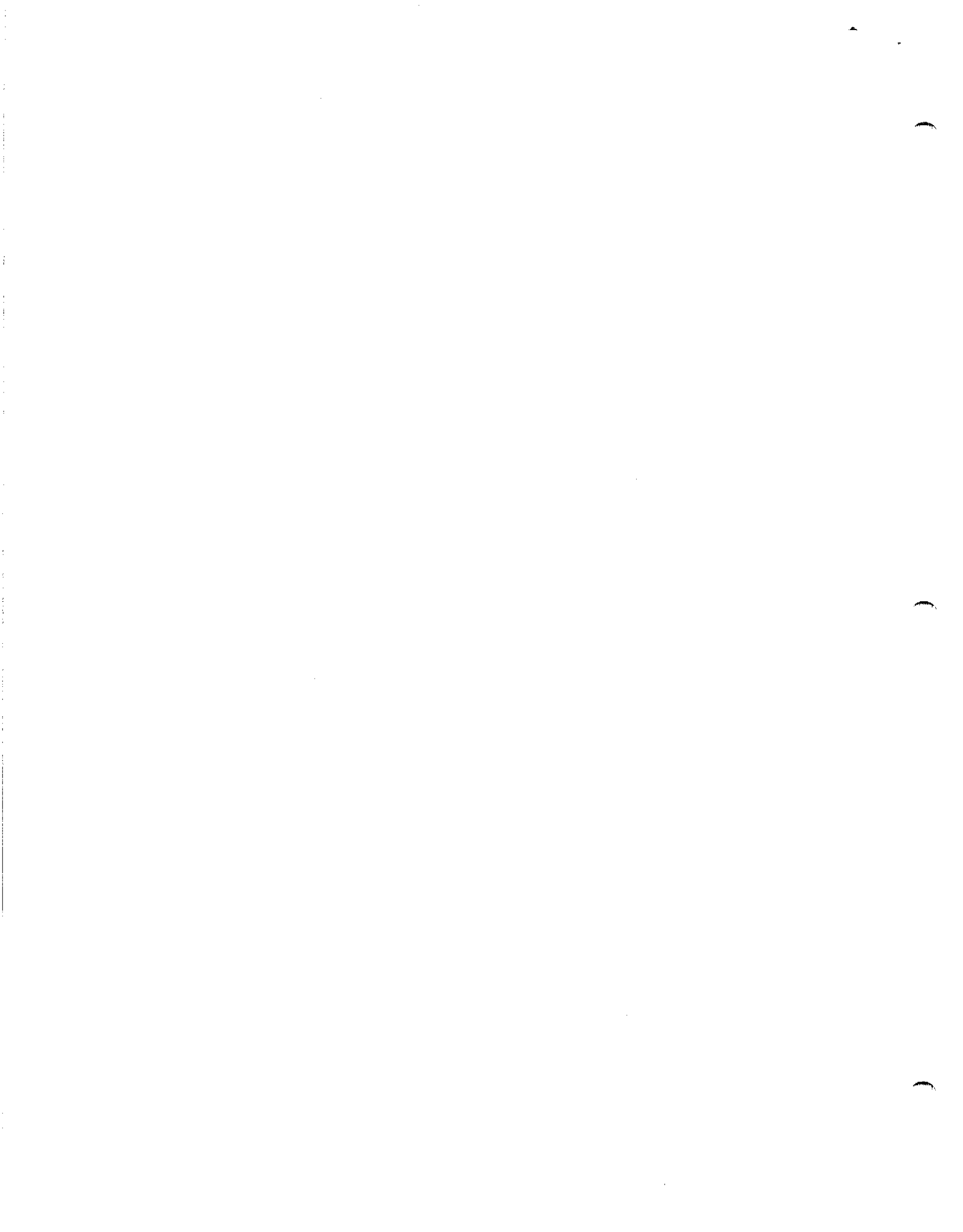
# KID

material reduction machine



# Parts Book

71094



## TABLE OF CONTENTS

### GENERAL GROUPS

ROTOR GROUP 69693.....	1
ROTOR HOUSING GROUP 69694.....	2
FEED ROLLER GROUP 69700.....	3
FEED BOX GROUP 69701.....	4
PUSH PLATE GROUP 69951.....	6
PUSH PLATE GROUP 71135.....	6.1
PUSH PLATE DRIVE GROUP 70943.....	7
DISCHARGE CHUTE GROUP 70091.....	8
HYDRAULIC TANK GROUP 70932.....	12
HYDRAULIC LINES AND FITTINGS GROUP 70933.....	13
HYDRAULIC PUMP AND MOTOR GROUP 70934.....	17
VALVE AND CONTROL GROUP 70935.....	19
GUARDS AND COVERS GROUP 9699.....	22
TIRE AND WHEEL ASSEMBLY 21996.....	25
FENDER GROUP 70789.....	26
FILM GROUP 70773.....	27

### ENGINE/PTO DRIVE DEPENDENT GROUPS

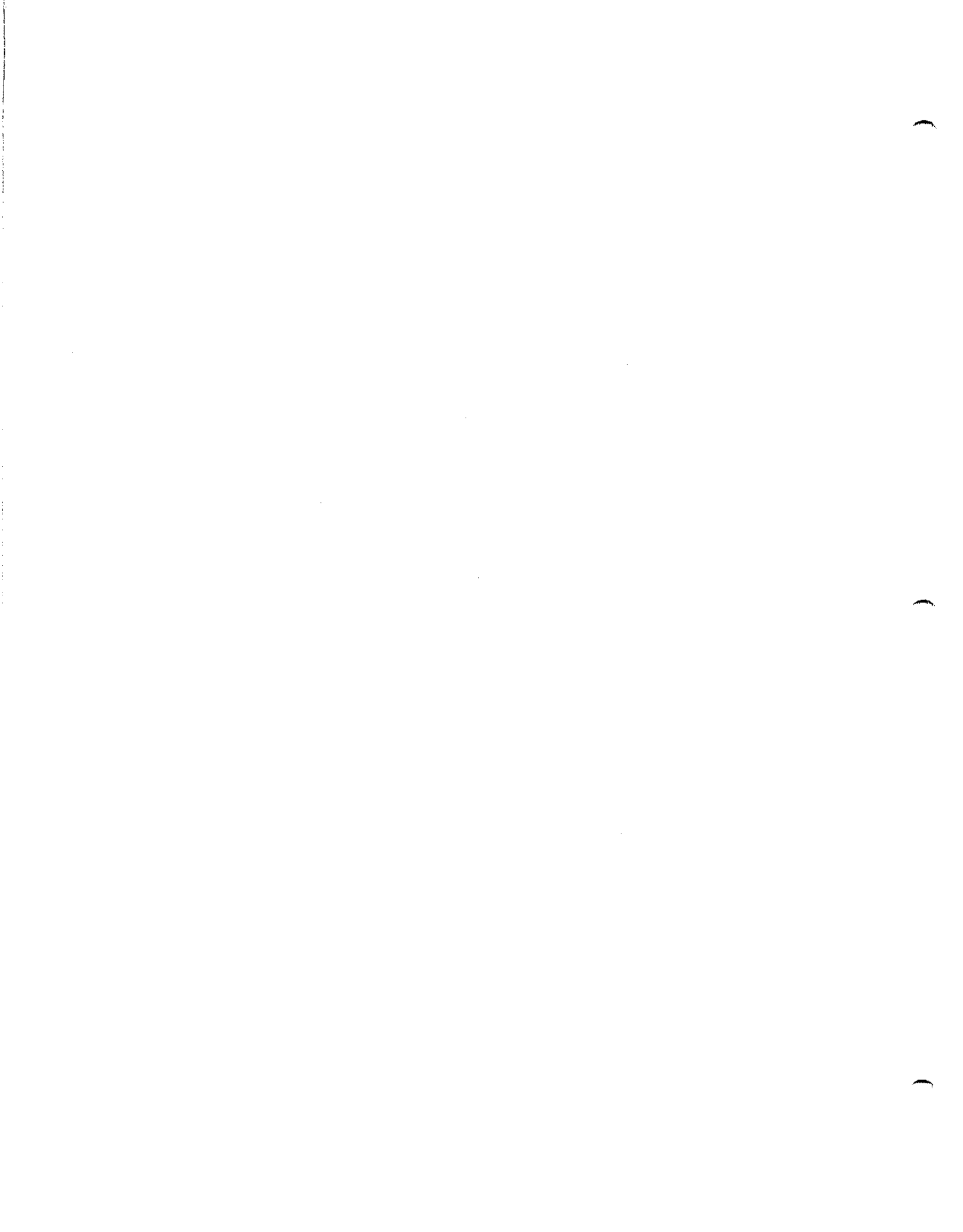
FRAME GROUP-PTO 69695.....	33
FRAME GROUP-ENGINE 70374.....	34
AXLE GROUP-PTO 70788.....	35
AXLE WITHOUT BRAKES-ENGINE 71053.....	36
AXLE WITH ELECTRIC BRAKES-ENGINE 70998.....	37
AXLE WITH HYDRAULIC BRAKES-ENGINE 70999.....	38
DRIVE GROUP PTO 69696.....	39
DRIVE GROUP ENGINE 70353.....	40
FUEL TANK GROUP 70391.....	42

### GUARDS AND COVERS

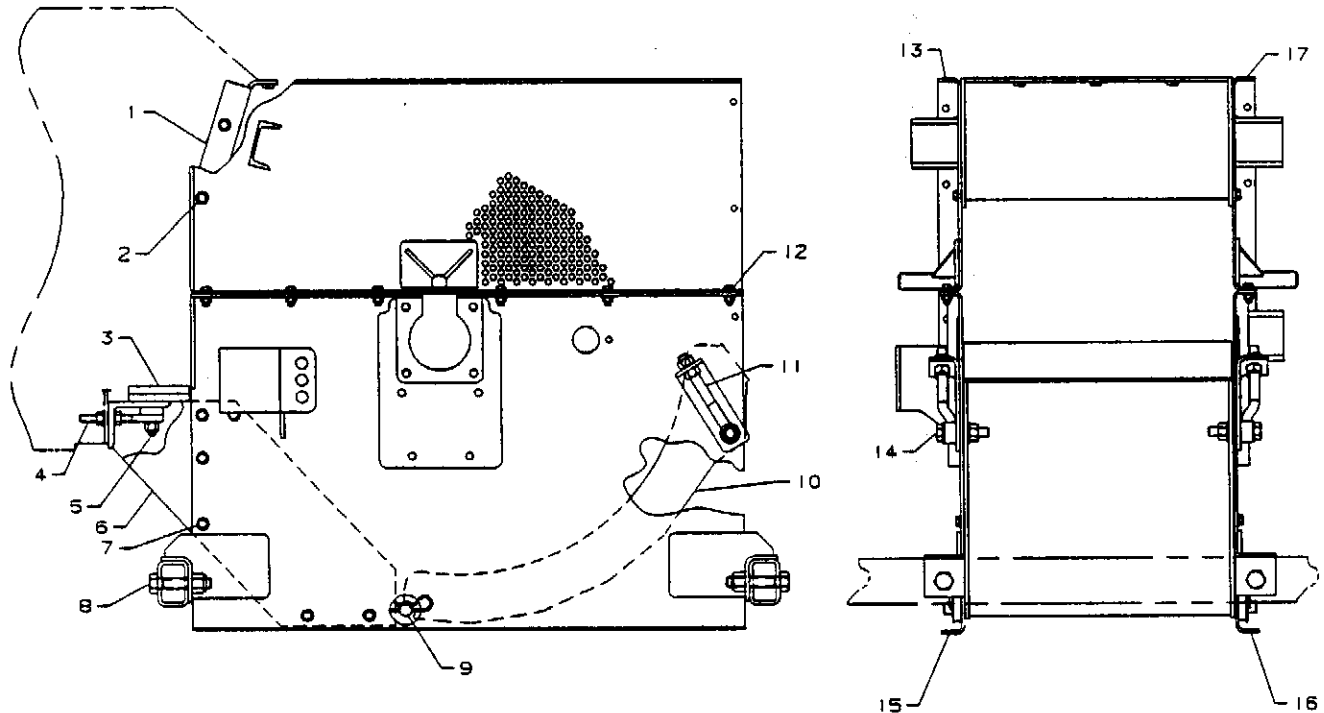
GUARDS AND COVERS-PTO 70485.....	43
GUARDS AND COVERS-ENGINE 70486.....	44

### MISCELLANEOUS OPTIONS

SMALL FEED ROLLER GROUP 70950.....	45
CONCAVE DISCHARGE GROUP 70958.....	46
FEED BOX EXTENSION-RIGHT HAND GROUP 71000.....	47
LIGHT KIT W/O ELECTRIC BRAKES-ENGINE 71028.....	48
LIGHT KIT WITH ELECTRIC BRAKES-ENGINE 70964.....	49



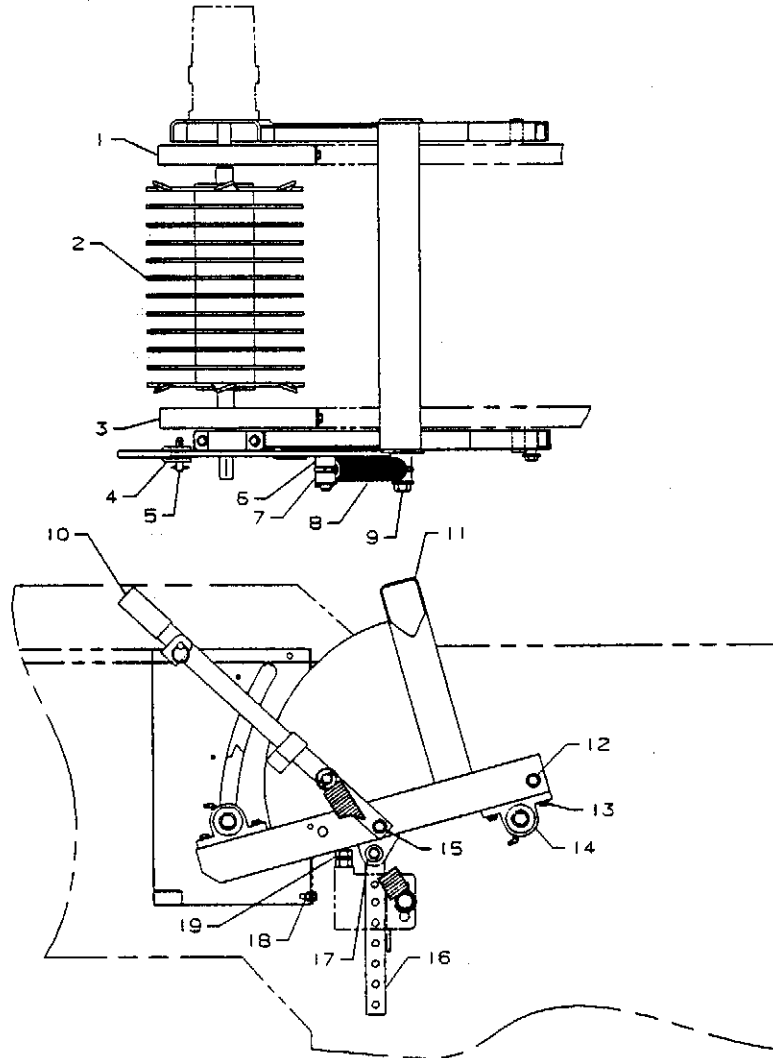
ROTOR HOUSING



REF NO	PART NUMBER	QTY	PART NAME	REF NO	PART NUMBER	QTY	PART NAME
1	69868	1	BAFFEL AS.	12	22467	12	BOLT 3/8-16 X 1.0 GR5
2	23183	4	BOLT 3/8-16 X 1.0 GR8		23543	12	WASHER 3/8 LOCK
	24184	4	WASHER 3/8 HARD		23471	12	NUT 3/8-16
3	69895	2	PLATE ANVIL	13	69822	1	PLATE AS. UPPER RH
4	69863	1	ADJUSTOR AS. ANVIL	14	22605	2	BOLT 5/8-11 X 2.5 GR5
	24178	4	WASHER 1/2 HARD		24179	4	WASHER 5/8 HARD
	23473	4	NUT 1/2-13		23475	2	NUT 5/8-11
5	24194	3	PLOW BOLT 1/2-13 X 3.0	15	69836	1	PLATE AS. LOWER RH
	24178	3	WASHER 1/2 HARD	16	69837	1	PLATE AS. LOWER LH
	23872	3	NUT 1/2-13 NYLOCK	17	69823	1	PLATE AS. UPPER LH
6	69829	1	CONCAVE AS. FIXED				
7	23183	12	BOLT 3/8-16 X 1.0 GR8				
	24184	12	WASHER 3/8 HARD				
8	22642	4	BOLT 3/4-10 X 3.5 GR5				
	24224	4	NUT 3/4-10 NYLOCK				
9	69911	1	PIN (CONCAVE)				
	23536	2	WASHER 3/4 FLAT				
	23903	2	CLIP PIN				
10	69844	1	CONCAVE AS. ADJ.				
11	24172	2	EYE-BOLT 5/8-11 X 6				
	23475	4	NUT 5/8-11				

69694 ROTOR HOUSING GROUP

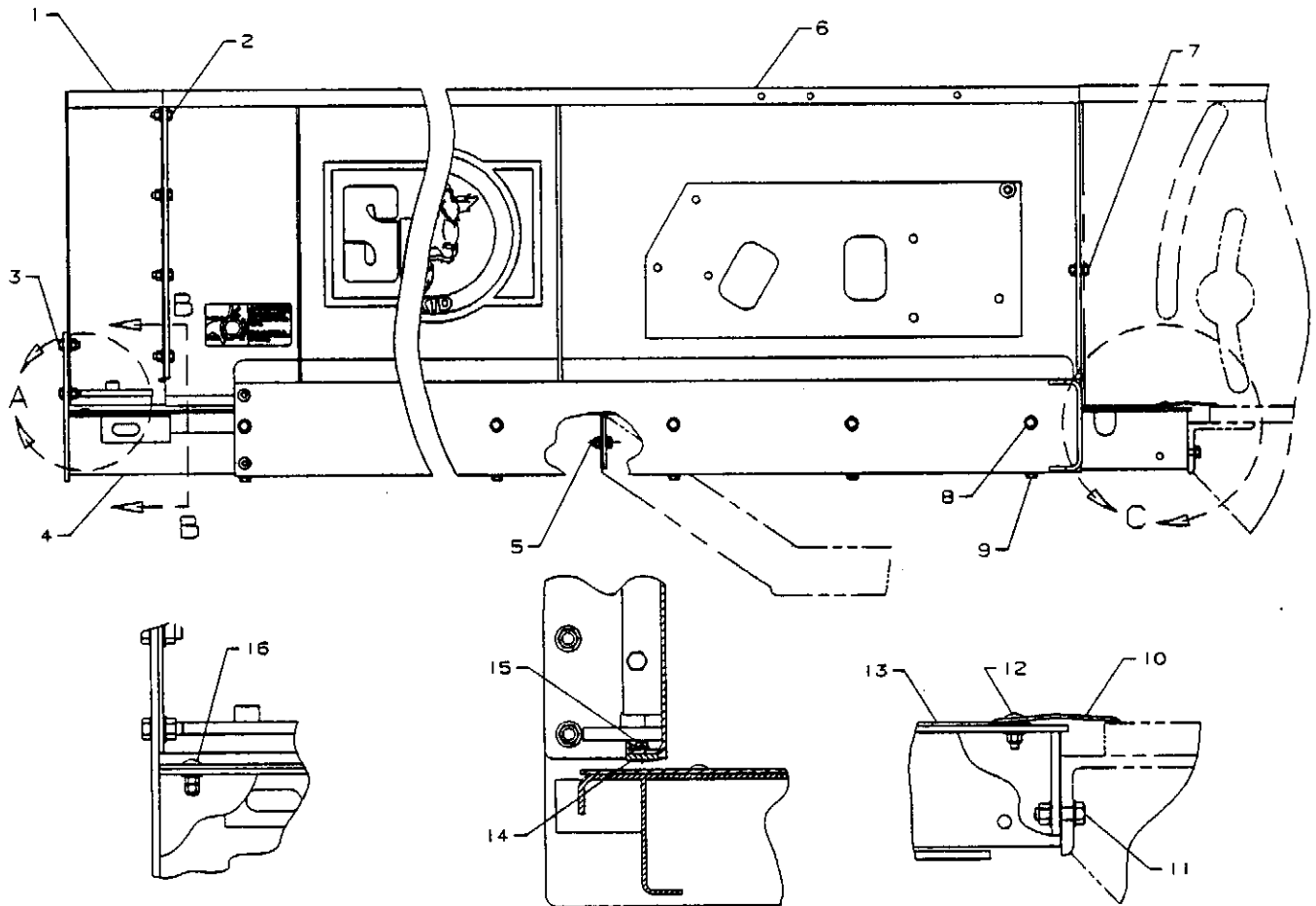
FEED ROLLER GROUP



REF NO	PART NUMBER	QTY	PART NAME	REF NO	PART NUMBER	QTY	PART NAME
1	69903	1	PLATE AS. LH	12	22535	1	BOLT 1/2-13 X 1.5 GR5
2	69999	1	ROLLER AS. LARGE		24178	1	WASHER 1/2 HARD
3	69901	1	PLATE AS. RH		70734	1	BOSS
4	70745	1	STOP TAB		23545	1	WASHER 1/2 LOCK
5	19384	1	PIN		23473	1	NUT 1/2-13
6	70817	1	SUPPORT, SPRING	13	23184	6	BOLT 3/8-16 X 1.25 GR 8
7	70737	1	BOSS		24184	6	WASHER 3/8 HARD
	24187	1	WASHER 3/4 HARD	14	19330	3	BEARING PILLOW BLOCK 1"
	23986	1	COTTER PIN	15	22535	1	BOLT 1/2-13 X 1.5
8	19471	1	SPRING		24178	2	WASHER 1/2 HARD
9	22640	1	BOLT 3/4-10 X 3.0 GR5		70734	1	BOSS
	24187	1	WASHER 3/4 HARD		23545	1	WASHER 1/2 LOCK
	70737	2	BOSS		23473	1	NUT 1/2-13
	70736	1	BOSS	16	70733	1	BAR STOP
	23548	1	WASHER 3/4 LOCK	17	23248	1	BOLT 1/2-13 X 1.75 GR8
	23476	1	NUT 3/4-10		24178	2	WASHER 1/2 HARD
10	15283	1	GRIP 3/8 X 1.5 X 4.0		70734	1	BOSS
	70742	1	HANDLE AS.		24201	1	NUT 1/2-13 HARD
11	69955	1	SWING ARM AS.	18	22467	10	BOLT 3/8-16 X 1.5
					23543	10	WASHER 3/8 LOCK
					23471	10	NUT 3/8-16
				19	23336	1	BOLT 3/4-10 X 2.0 GR8
					23476	1	NUT 3/4-10

69700 FEED ROLLER GROUP

FEED BOX ASSEMBLY RIGHT HAND SIDE



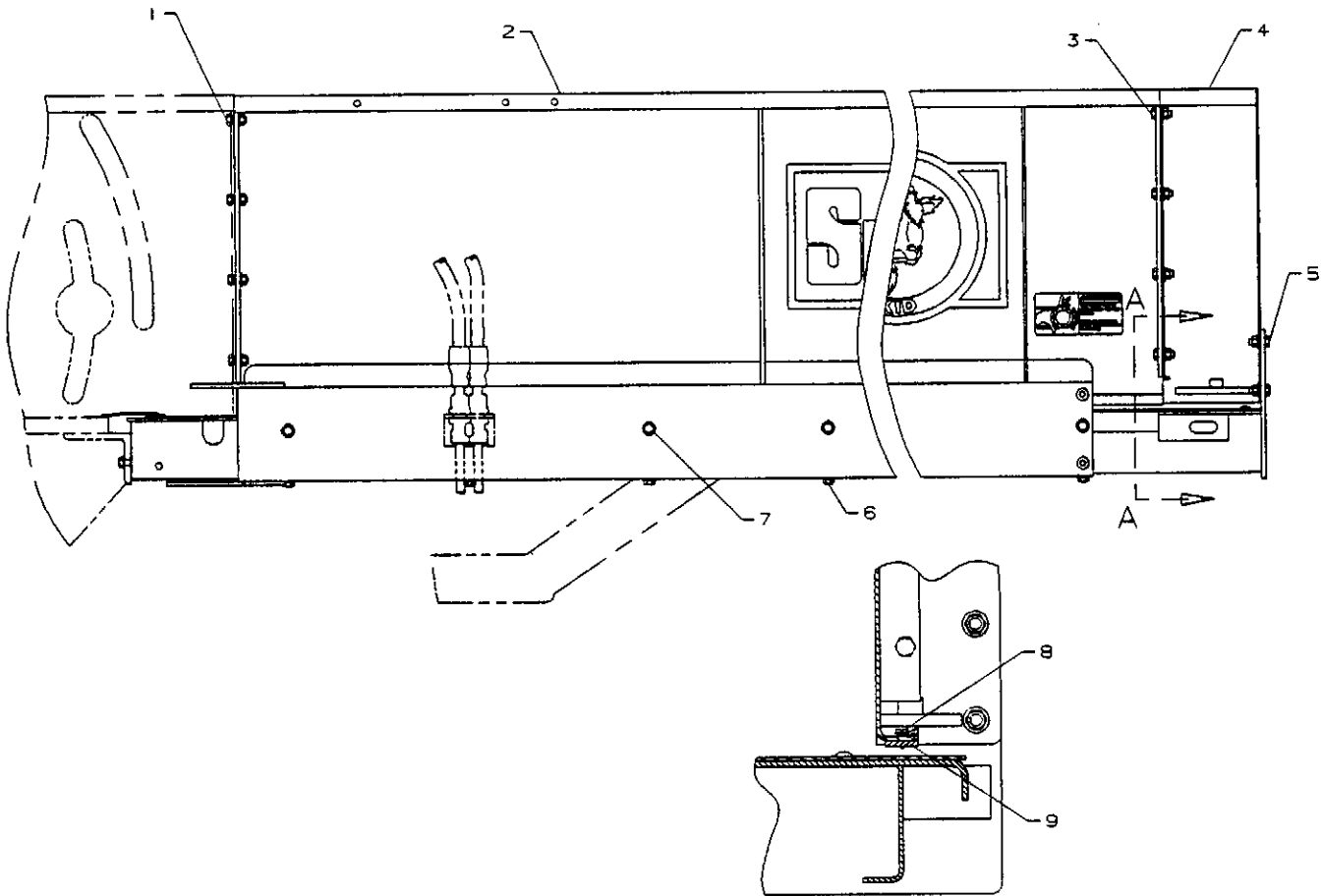
DETAIL A

SECTION B-B

DETAIL C

REF NO	PART NUMBER	QTY	PART NAME	REF NO	PART NUMBER	QTY	PART NAME
1	69996	1	PLATE AS. REAR RH.	9	22467	9	BOLT 3/8-16 X 1.0 GR5
2	22467	4	BOLT 3/8-16 X 1.0 GR5	9	23543	9	WASHER 3/8 LOCK
	23543	4	WASHER 3/8 LOCK		24184	9	WASHER 3/8 HARD
	23471	4	NUT 3/8-16		23471	9	NUT 3/8-16
3	22467	2	BOLT 3/8-16 X 1.0 GR5	10	70594	1	CLAMP PLATE
	23543	2	WASHER 3/8 LOCK	11	23184	4	BOLT 3/8-16 X 1.25 GRB
	23471	2	NUT 3/8-16		24184	8	WASHER 3/8 HARD
4	69989	1	FEEDER BOTTOM AS.		24199	4	NUT 3/8-16 HARD
5	23183	3	BOLT 3/8-16 X 1.0 GRB	12	24222	5	BOLT CARR 1/4-20 X 1.0
	24184	6	WASHER 3/8 HARD		24182	5	WASHER 1/4 HARD
	24199	3	NUT 3/8-16 HARD		23714	5	NUT 1/4-20 NYLOCK
6	71075	1	SIDE AS-FILM	13	70623	1	PLASTIC SHEET
	69918	1	SIDE AS. RH.	14	70624	1	PLASTIC PROFILE
	19457	1	FILM-SAFETY	15	23626	1	MACHINE SCREW #10
	71078	1	FILM-SUNDANCE	16	24222	3	BOLT CARR 1/4-20 X 1.0
7	22467	1	BOLT 3/8-16 X 1.0 GR5		24182	3	WASHER 1/4 HARD
	23543	1	WASHER 3/8 LOCK		23469	3	NUT 1/4-20
	23471	1	NUT 3/8-16		23714	3	NUT 1/4-20 NYLOCK
8	22467	9	BOLT 3/8-16 X 1.0 GR5				
	24184	9	WASHER 3/8 HARD				

FEED BOX ASSEMBLY LEFT HAND SIDE

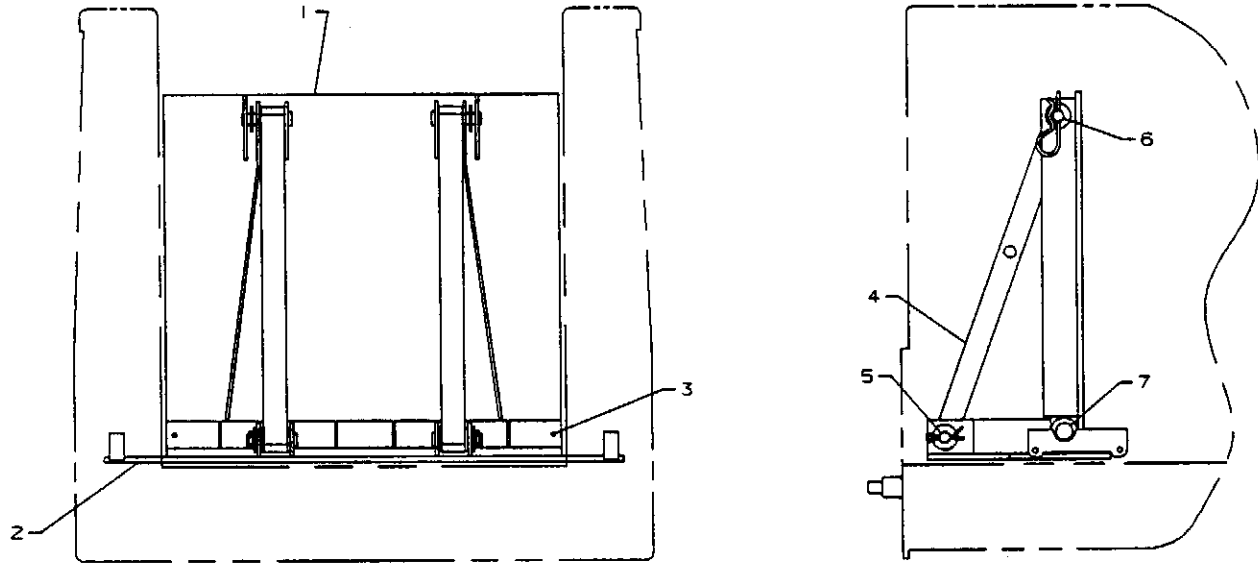


SECTION A-A

QTY	REF NO	PART NUMBER	PART NAME	QTY	REF NO	PART NUMBER	PART NAME
4	1	22467	BOLT 3/8-16 X 1.0 GR5				
4		23543	WASHER 3/8 LOCK				
4		23471	NUT 3/8-16				
1	2	71076	PLATE AS-FILM				
1		70064	PLATE AS. LH.				
1		19457	FILM-SAFETY				
1		71078	FILM-SUNDANCE				
4	3	22467	BOLT 3/8-16 X 1.0 GR5				
4		23543	WASHER 3/8 LOCK				
4		23471	NUT 3/8-16				
1	4	69998	PLATE AS. REAR LH.				
2	5	22467	BOLT 3/8-16 X 1.0 GR5				
2		23543	WASHER 3/8 LOCK				
2		23471	NUT 3/8-16				
9	6	22467	BOLT 3/8-16 X 1.0 GR5				
9		24184	WASHER 3/8 HARD				
9		23543	WASHER 3/8 LOCK				
9		23471	NUT 3/8-16				
8	7	22467	BOLT 3/8-16 X 1.0 GR5				
8		24184	WASHER 3/8 HARD				
1	8	23626	MACHINE SCREW #10				
1	9	70624	PLASTIC PROFILE				



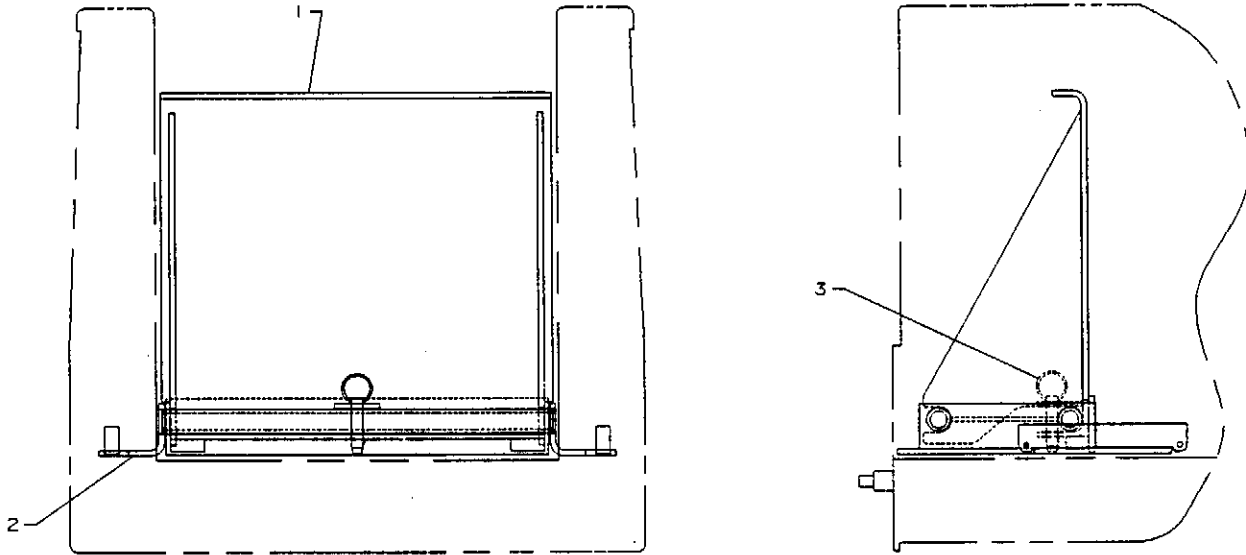
PUSH PLATE



REF NO	PART NUMBER	QTY	PART NAME	REF NO	PART NUMBER	QTY	PART NAME
1	69952	1	PLATE AS. RAM				
2	69958	1	BOTTOM RAM AS.				
3	19327	2	ROLL PIN				
4	70008	2	TUBE-BRACE				
5	18929	2	PIN				
	24178	2	WASHER 1/2 HARD				
	23739	2	COTTER PIN 1/8 X 1				
6	18929	2	PIN				
	24178	2	WASHER 1/2 HARD				
	23903	2	HAIRPIN COTTER				
7	69964	1	ROD				

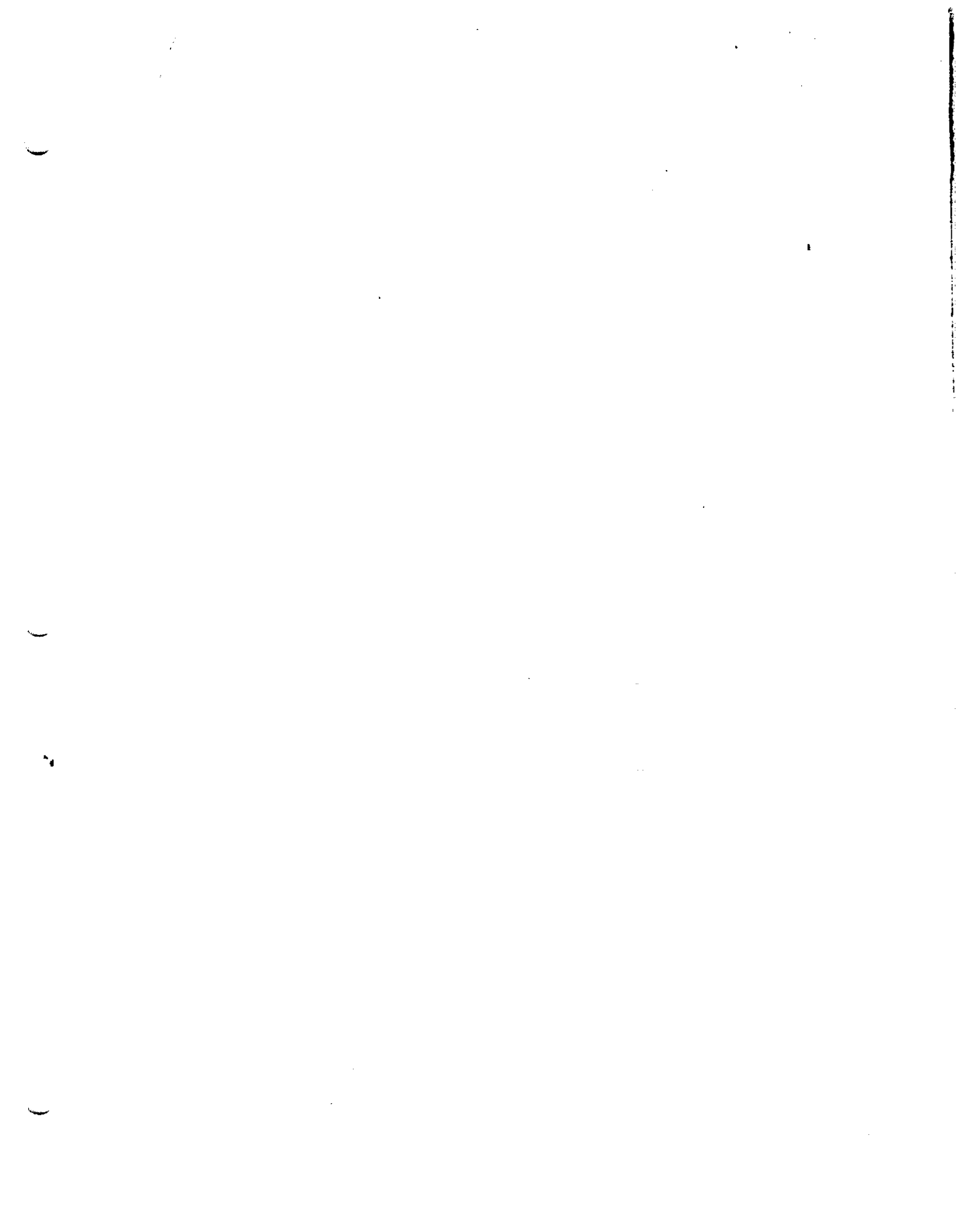
69951 PUSH PLATE GROUP

PUSH PLATE

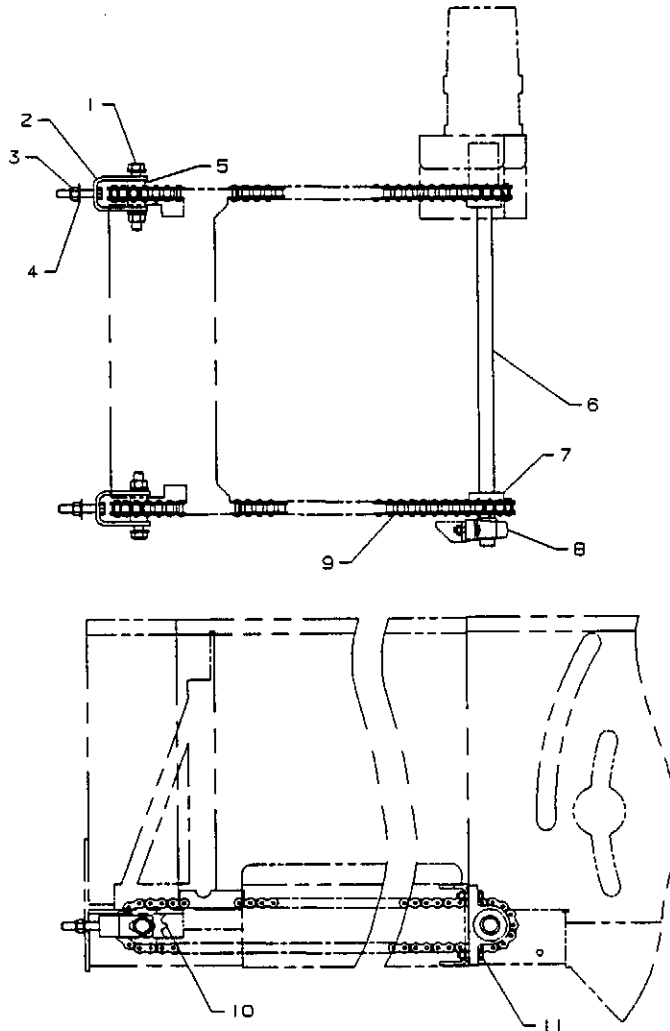


QTY	REF NO	PART NUMBER	QTY	PART NAME	QTY	REF NO	PART NUMBER	QTY	PART NAME
1	2	71104	1	PLATE AS. RAM					
	3	71103	1	BOTTOM RAM AS.					
		19384	1	PIN					

71135 PUSH PLATE GROUP



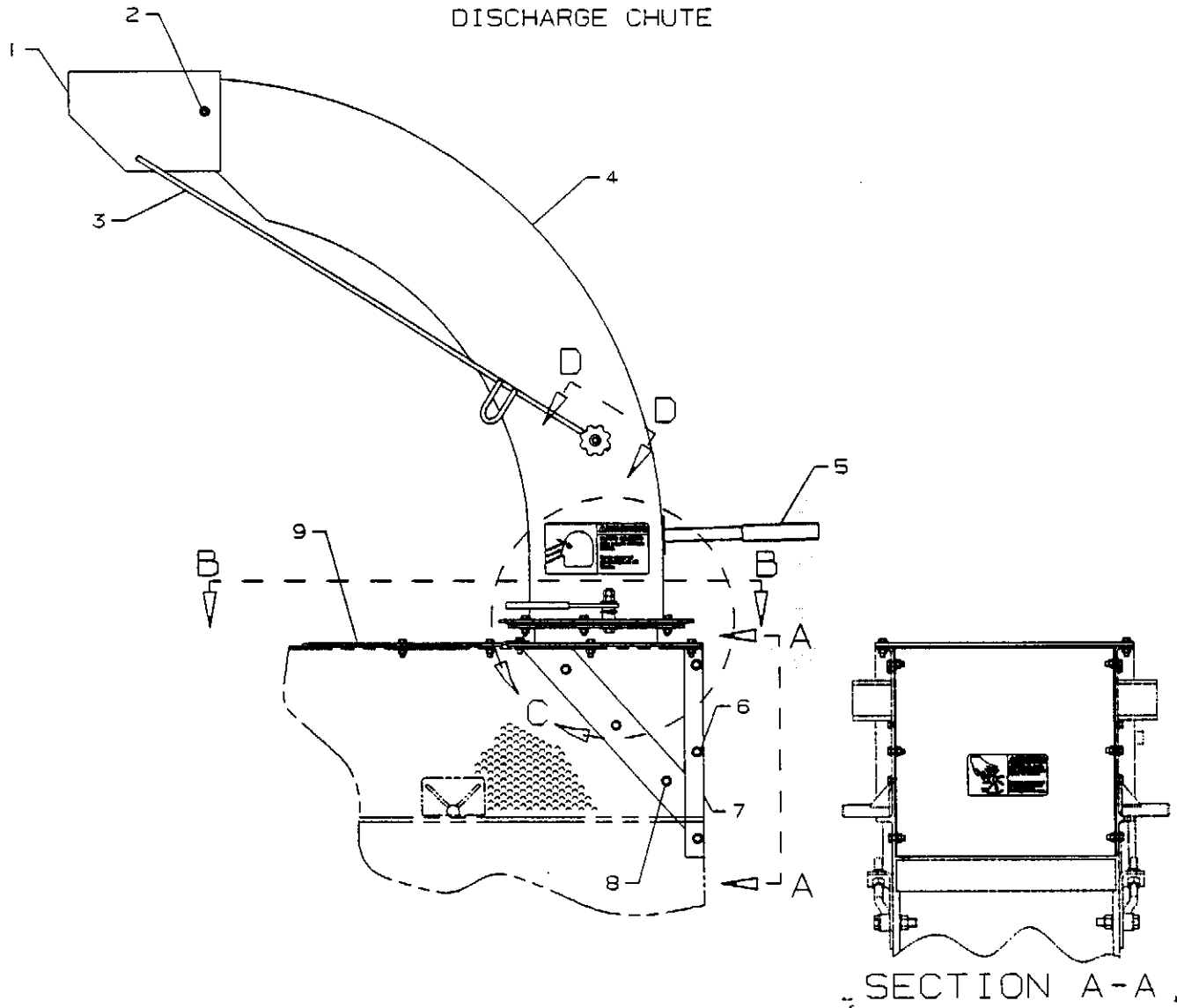
PUSH PLATE DRIVE



REF NO	PART NUMBER	QTY	PART NAME	REF NO	PART NUMBER	QTY	PART NAME
1	22611	2	BOLT 5/8-11 X 4.0 GR5				
	24179	4	WASHER 5/8 HARD				
	23475	2	NUT 5/8-11				
2	69921	2	TENSIONER AS.				
3	23872	2	NUT 1/2-13 NYLOCK				
4	24178	2	WASHER 1/2 HARD				
5	70004	4	SPACER				
6	70383	1	SHAFT				
7	19328	2	SPROCKET, 13T X 1.60				
	17987	2	KEY, WOODRUF 1/4 X 1.0				
8	19330	1	BEARING, PILLOW BLOCK 1"				
9	70014	2	CHAIN W/2 CONNECTING LINKS				
	17429	2	CONNECTING LINK				
10	19329	2	SPROCKET, IDLER				
11	22469	2	BOLT 3/8-16 X 1.5 GR5				
	24184	2	WASHER 3/8 HARD				
	23543	2	WASHER 3/8 LOCK				
	23471	2	NUT 3/8-16				

70943 PUSH PLATE GROUP

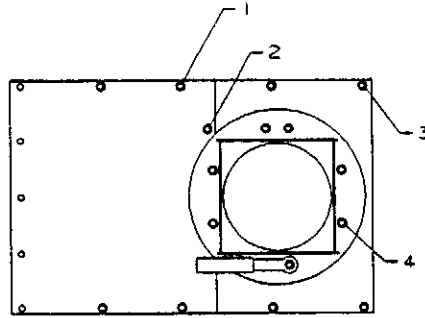
DISCHARGE CHUTE



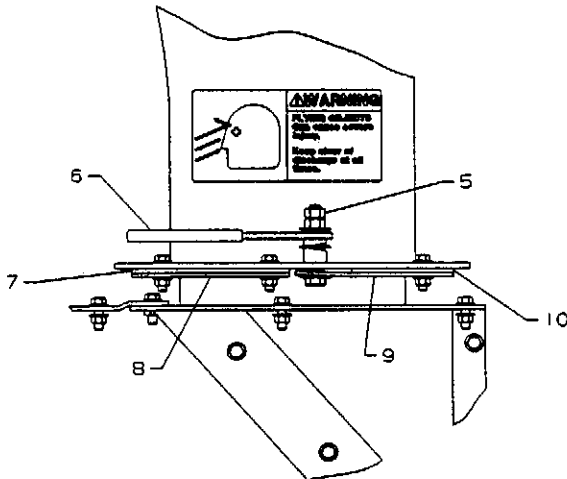
QTY	REF NO	PART NUMBER	QTY	PART NAME	QTY	REF NO	PART NUMBER	QTY	PART NAME
1	70098	1	DEFLECTOR						
2	23787	2	BOLT 3/8-16 X 1.0 CARRIAGE						
	70100	2	SPACER						
	8M7145	2	WASHER 3/8 OVERSIZE						
	23689	2	NUT 3/8-16 TOPLOCK						
3	70105	1	ROD AS.						
	24184	1	WASHER 3/8 HARD						
	23739	1	COTTER PIN 1/8 X 1						
4	71084	1	DISCHARGE AS.-FILM						
	70092	1	DISCHARGE CHUTE AS.						
	19447	1	FILM-SAFETY						
	19445	2	FILM-SAFETY						
5	15282	1	RUBBER GRIP 1X6						
6	22467	6	BOLT 3/8-16 X 1.0 GR5						
	24184	6	WASHER 3/8 HARD						
	23543	6	WASHER 3/8 LOCK						
	23471	6	NUT 3/8-16						
7	71079	1	COVER AS.-FILM						
	69854	1	COVER AS. CHUTE						
	19447	1	FILM-SAFETY						
8	22467	6	BOLT 3/8-16 X 1.0 GR5						
	23543	6	WASHER 3/8 LOCK						
9	69861	1	PLATE COVER						

70091 DISCHARGE CHUTE GROUP PAGE 1 OF 2  
 SERIAL NUMBER UP TO 7015 INCLUSIVE

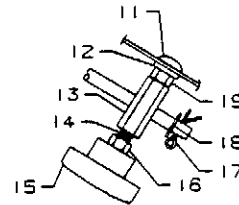
DISCHARGE CHUTE



SECTION B-B



DETAIL C

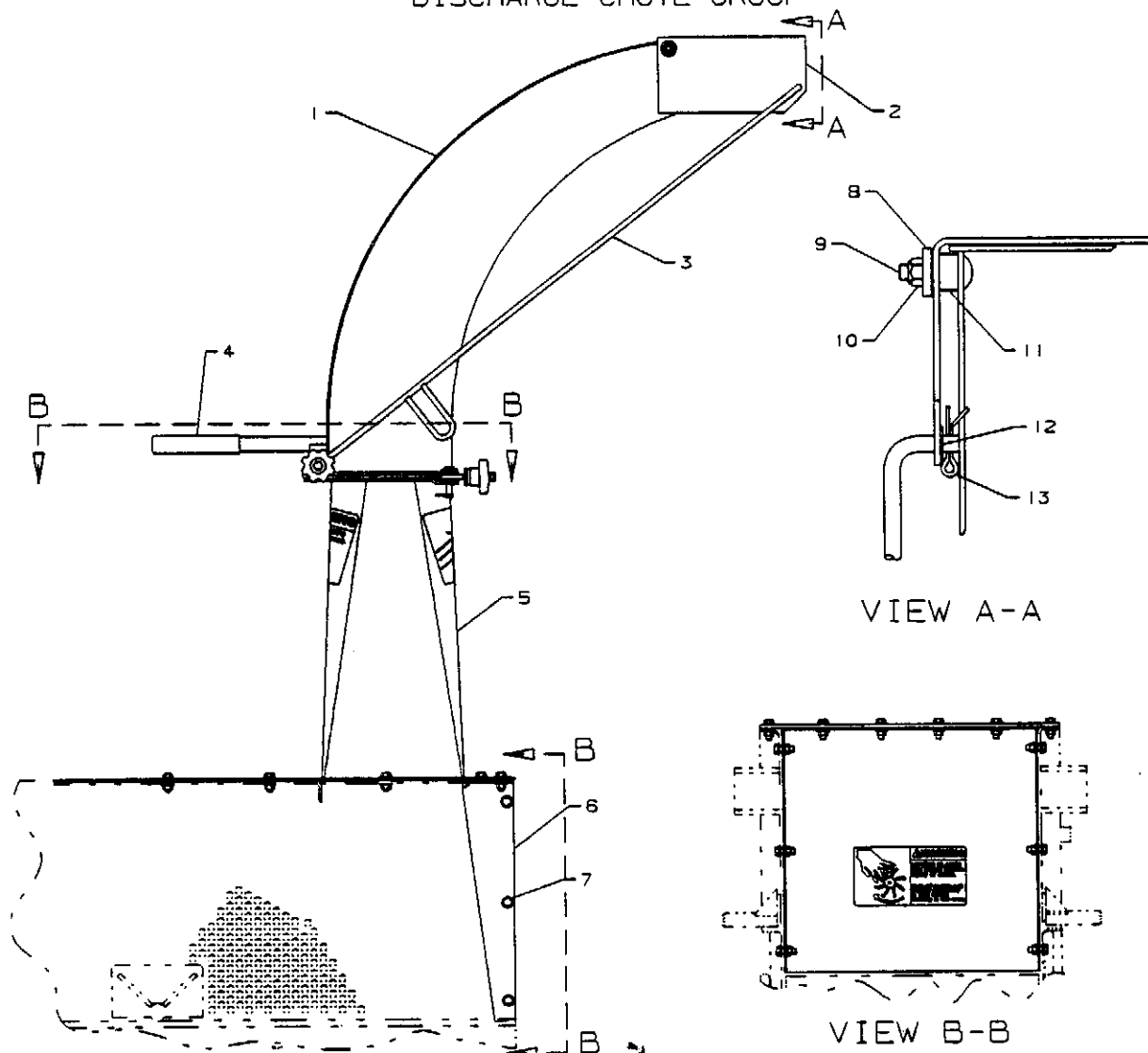


SECTION D-D

REF NO	PART NUMBER	QTY	PART NAME	REF NO	PART NUMBER	QTY	PART NAME
1	22467	4	BOLT 3/8-16 X 1.0 GR5	13	70101	1	COUPLING NUT
	23543	4	WASHER 3/8 LOCK	14	24134	1	SHCS 3/8-16 X 2 GB
	23471	4	NUT 3/8-16	15	16712	1	KNOB BLACK
2	22467	4	BOLT 3/8-16 X 1.0 GR5	16	23471	1	NUT 3/8-16
	23543	4	WASHER 3/8 LOCK	17	23739	1	COTTER PIN 1/8 X 1
3	22467	4	BOLT 3/8-16 X 1.0 GR5	18	24184	1	WASHER 3/8 HARD
	24184	4	WASHER 3/8 HARD	19	23471	1	NUT 3/8-16
	23543	4	WASHER 3/8 LOCK				
	23471	4	NUT 3/8-16				
4	22468	7	BOLT 3/8-16 X 1.25 GR5				
	23543	7	WASHER 3/8 LOCK				
	23471	7	NUT 3/8-16				
5	22541	1	BOLT 1/2-13 X 3.00 GR5				
	24178	3	WASHER 1/2 HARD				
	23473	2	NUT 1/2-13				
6	70584	1	HANDLE AS.				
	15284	1	RUBBER GRIP 1/4 X 1 X 5				
7	70104	1	RING SPACER				
8	70103	1	RING				
9	70588	1	RING				
10	70587	1	RING SPACER				
11	23788	1	3/8-16 X 1.25 CARRIAGE				
12	70100	1	SPACER				

70091 DISCHARGE CHUTE GROUP PAGE 2 OF 2  
 SERIAL NUMBER UP TO 7015 INCLUSIVE

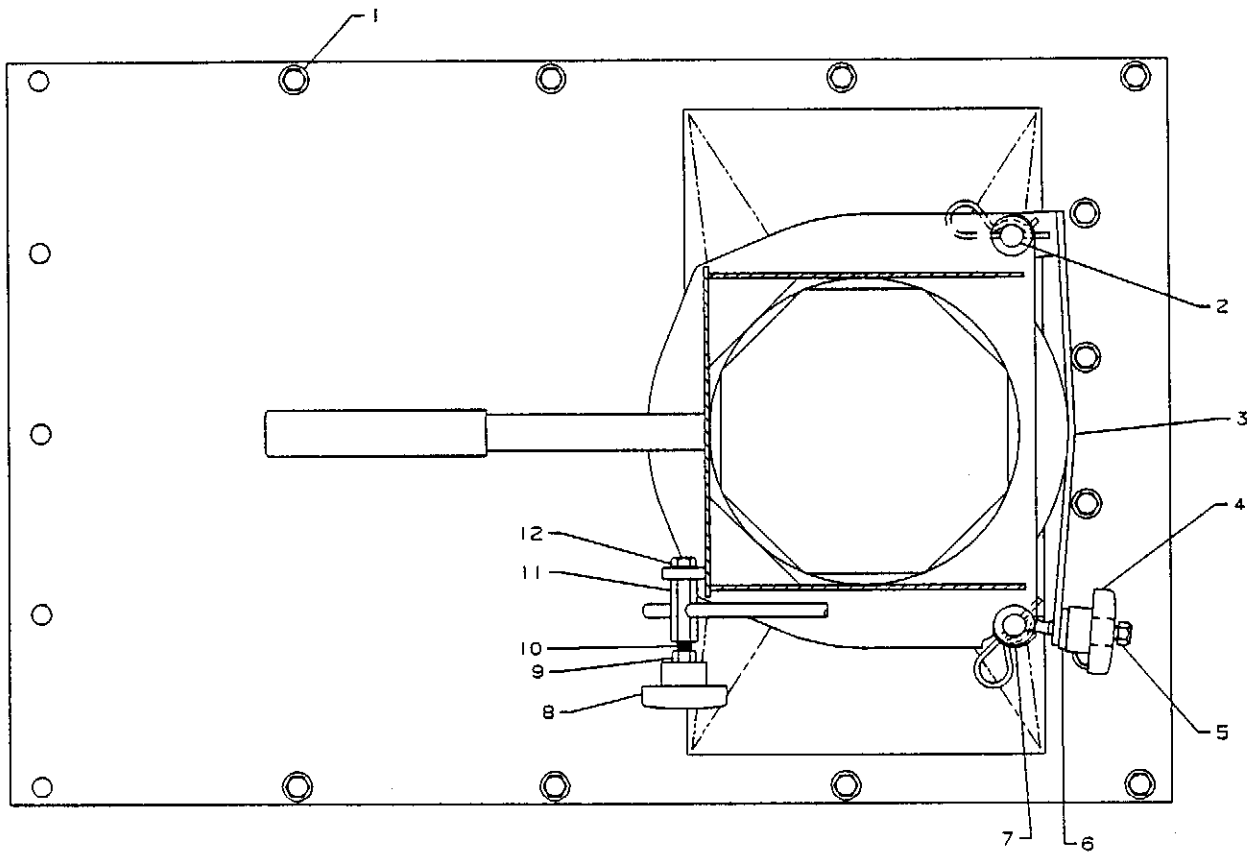
DISCHARGE CHUTE GROUP



REF NO	PART NUMBER	QTY	PART NAME	REF NO	PART NUMBER	QTY	PART NAME
1	70976	1	CHUTE AS.-DISCHARGE				
2	70977	1	DEFLECTOR				
3	70105	1	ROD AS.				
4	15282	1	RUBBER GRIP				
5	71083	1	COVER AS.-FILM				
	70975	1	COVER AS.				
	19445	2	FILM-SAFETY				
6	71080	1	PLATE AS.-FILM				
	70974	1	PLATE				
	19447	1	FILM-SAFETY				
7	22467	6	BOLT 3/8-16 X 1.00 GR5				
	24184	6	WASHER 3/8 HARD				
	23543	6	WASHER 3/8 LOCK				
	23471	6	NUT 3/8-16				
8	7X0503	2	WASHER 3/8 OVERSIZE				
9	23668	2	BOLT 3/8-16 X 1.50 CARRIAGE				
10	23689	2	NUT 3/8-16 TOPLOCK				
11	70973	2	SPACER				
12	24184	1	WASHER 3/8 HARD				
13	23739	1	COTTER PIN				

70091 DISCHARGE CHUTE GROUP PAGE 1 OF 2  
 SERIAL NUMBER 7016 AND UP

DISCHARGE CHUTE GROUP



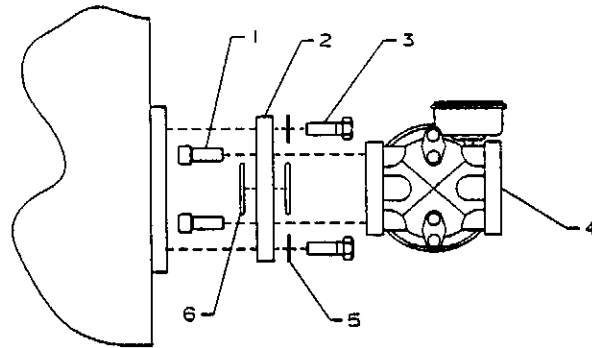
SECTION B-B

REF. NO.	PART NUMBER	QTY	PART NAME	REF. NO.	PART NUMBER	QTY	PART NAME
1	22467	12	BOLT 3/8-16 X 1.00 GR5				
	24184	12	WASHER 3/8 HARD				
	23543	12	WASHER 3/8 LOCK				
	23471	12	NUT 3/8-16				
2	18929	2	PIN				
	23531	2	WASHER 3/8 FLAT				
	23903	2	HAIRPIN COTTER				
3	70967	1	STRAP AS.				
4	16712	1	KNOB-BLACK				
5	23689	1	NUT 3/8-16 TOPLOCK				
6	7X0503	1	WASHER 3/8 OVERSIZE				
7	24221	1	EYEBOLT 3/8-16 X 2.00				
8	16712	1	KNOB-BLACK				
9	23471	1	NUT 3/8-16				
10	24134	1	SHCS 3/8-16 X 2.00 GR8				
11	70101	1	COUPLING NUT				
12	23184	1	BOLT 3/8-16 X 1.25 GR8				

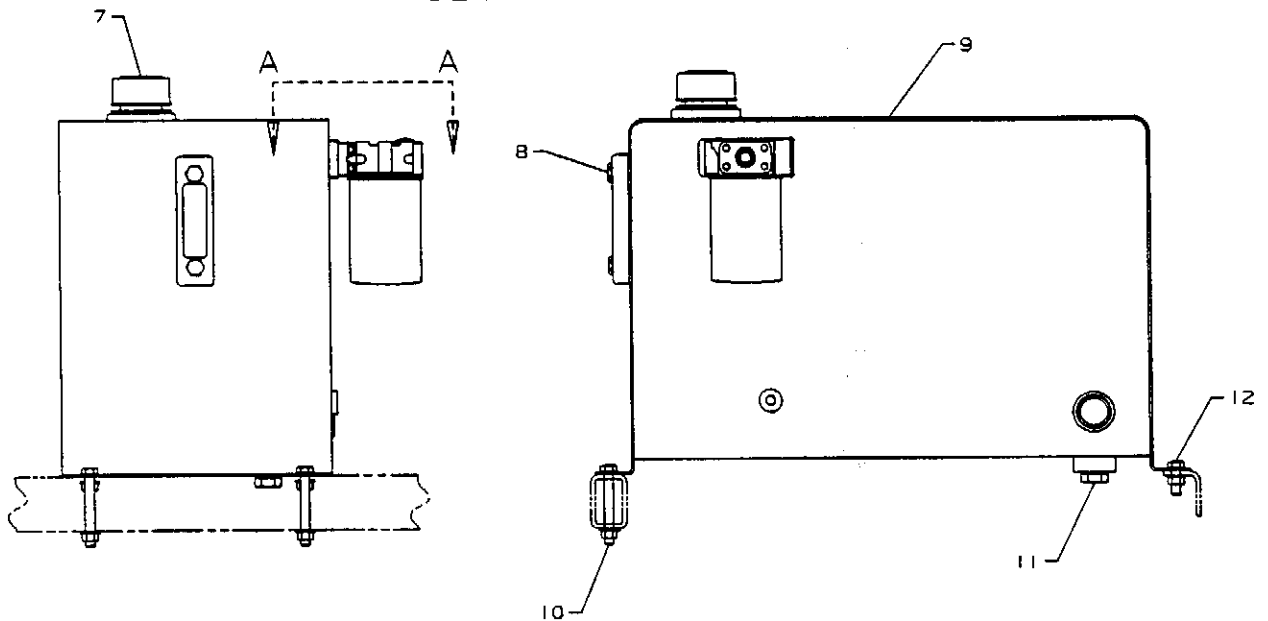
70091 DISCHARGE CHUTE GROUP PAGE 2 OF 2  
 SERIAL NUMBER 7016 AND UP



HYDRAULIC TANK ASSEMBLY



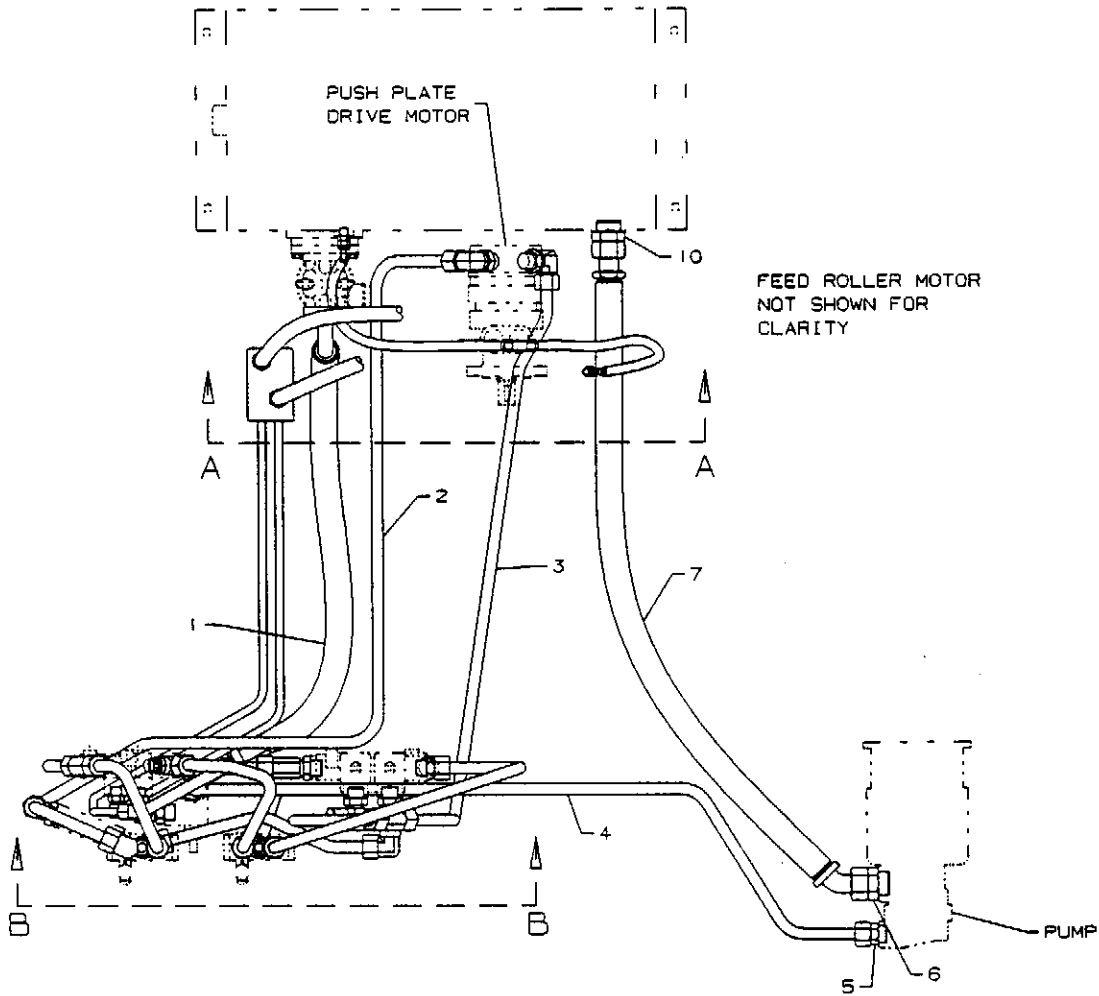
SECTION A-A



REF NO	REF NO	PART NUMBER	QTY	PART NAME	REF NO	REF NO	PART NUMBER	QTY	PART NAME
1		24229	4	BOLT SHCS 3/8-16 X .625					
2		70671	1	PLATE-FILTER MOUNT					
3		23183	4	BOLT 3/8-16 X 1.0 GRB					
4		21982	1	FILTER MOUNT					
		19523	1	FILTER					
5		24184	4	WASHER 3/8 HARD					
6		15280	2	O-RING 4J0520					
7		21931	1	FILLER BREATHER AS.					
8		21981	1	GUAGE, FLUID LEVEL					
9		70704	1	HYDRAULIC TANK AS.					
10		22545	2	BOLT 1/2-13 X 4.0 GR5					
		23545	2	WASHER 1/2 LOCK					
		23473	2	NUT 1/2-13					
11		19441	1	FITTING AS.					
		302824	1	SEAL-PORT					
12		22535	2	BOLT 1/2-13 X 1.5 GR5					
		23545	2	WASHER 1/2 LOCK					
		23473	2	NUT 1/2-13					

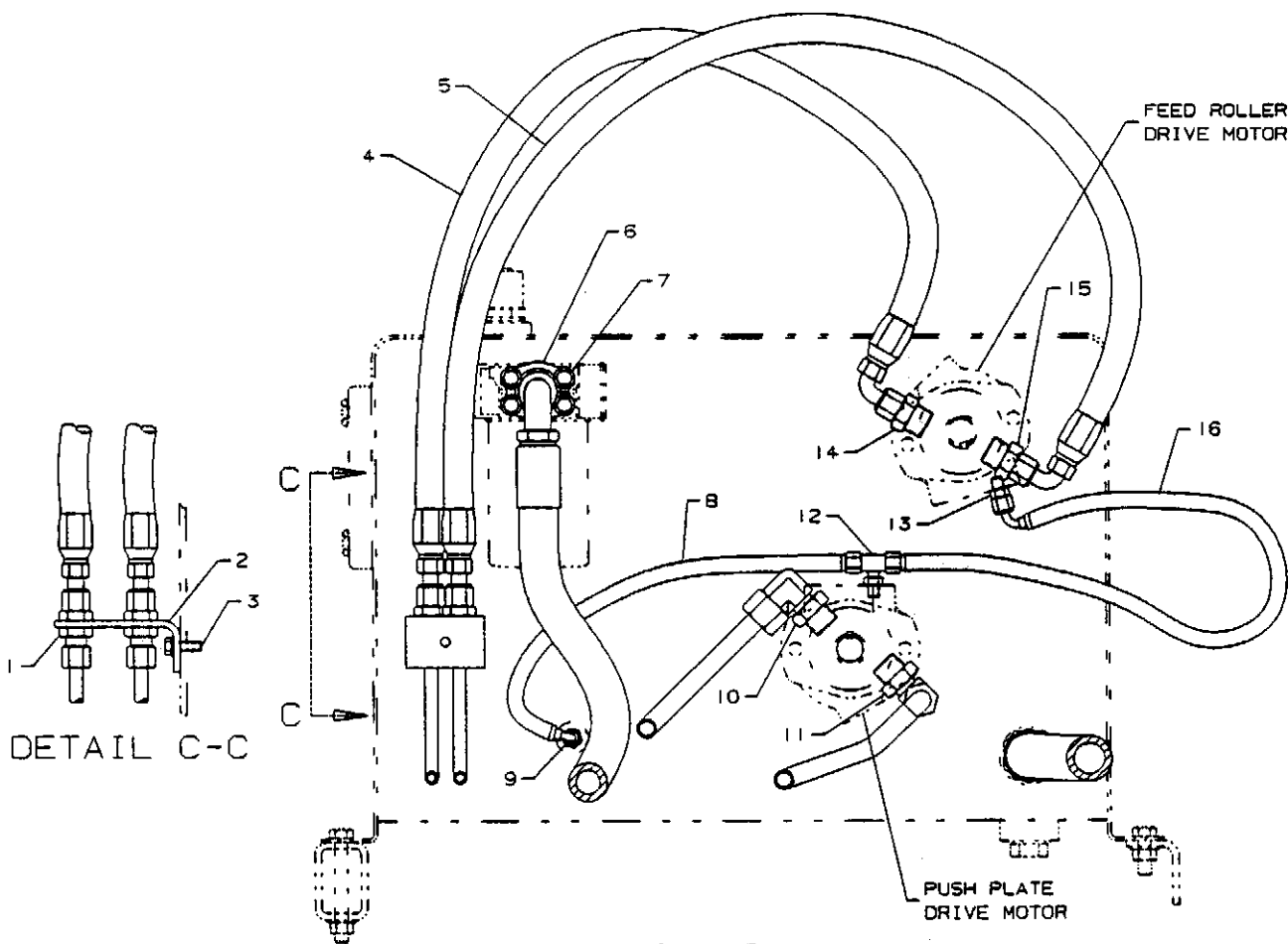
70932 HYDRAULIC TANK GROUP

HYDRAULIC LINES AND FITTINGS



QTY	REF NO	PART NUMBER	PART NAME	QTY	REF NO	PART NUMBER	PART NAME
1	70667	HOSE AS.					
	15280	SEAL-FLANGE					
2	70627	TUBE AS.					
3	70625	TUBE AS.					
4	70626	TUBE AS.					
5	18627	FITTING AS.					
	6V9746	SEAL-FACE					
	3D2824	SEAL-PORT					
6	19416	FITTING AS.					
	6V8400	SEAL-FACE					
	2S4078	SEAL-PORT					
7	70632	HOSE AS.					
8	19416	FITTING AS.					
	6V8400	SEAL-FACE					
	2S4078	SEAL-PORT					

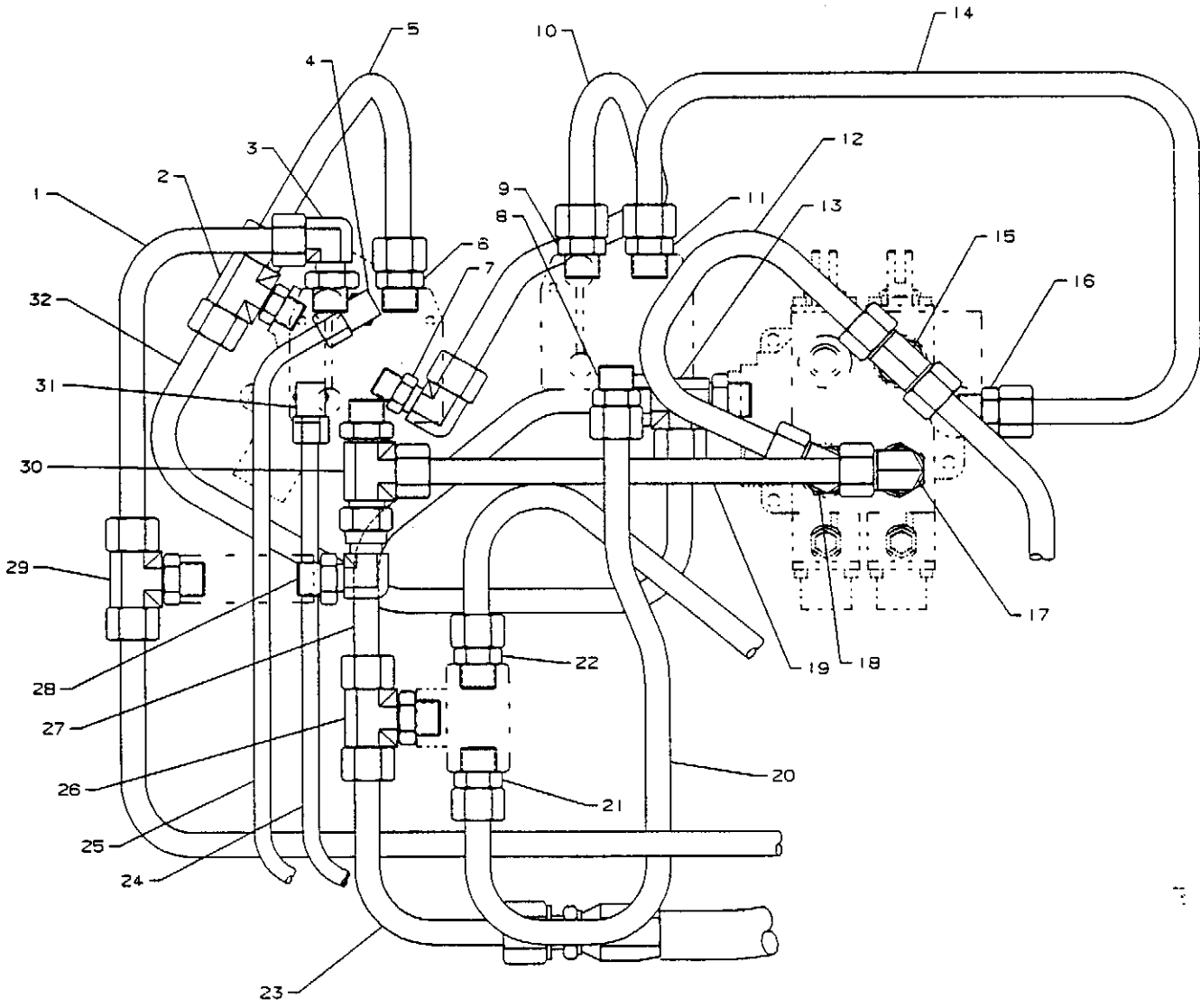
HYDRAULIC LINES AND FITTINGS



SECTION A-A

REF NO	PART NUMBER	QTY	PART NAME	REF NO	PART NUMBER	QTY	PART NAME
1	18654	2	FITTING AS.	12	19430	1	FITTING AS.
	6V8398	2	SEAL-FACE		4J5477	2	SEAL-FACE
2	70672	1	PLATE		3J7354	1	SEAL-PORT
3	22468	1	BOLT 3/8-16 X 1.25 GR5	13	19442	1	FITTING AS.
	23543	1	WASHER 3/8 LOCK		4J5477	1	SEAL-FACE
4	70633	1	HOSE AS.		3J7354	1	SEAL-PORT
5	70633	1	HOSE AS.	14	19374	1	FITTING AS.
6	19470	2	FLANGE		6V8398	1	SEAL-FACE
7	23184	4	BOLT 3/8-16 X 1.25 GR8		3D2824	1	SEAL-PORT
	24184	4	WASHER 3/8 HARD	15	19374	1	FITTING AS.
8	70654	1	HOSE AS.		6V8398	1	SEAL-FACE
9	19427	1	FITTING AS.		3D2824	1	SEAL-PORT
	4J5477	1	SEAL-FACE	16	70654	1	HOSE AS.
	3J1907	1	SEAL-PORT				
10	19417	1	FITTING AS.				
	3D2824	1	SEAL-PORT				
	6V9746	1	SEAL-FACE				
11	19417	1	FITTING AS.				
	3D2824	1	SEAL-PORT				
	6V9746	1	SEAL-FACE				

HYDRAULIC LINES AND FITTINGS

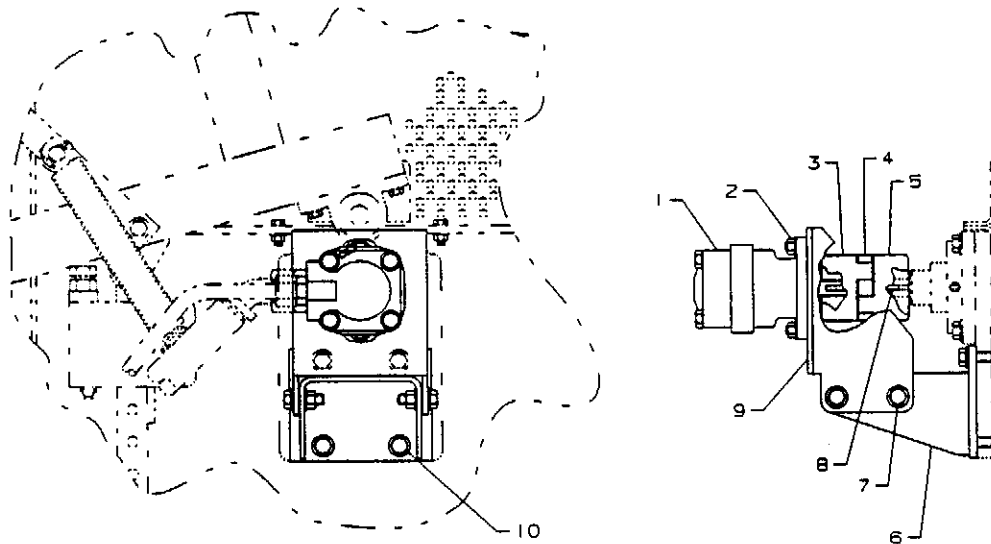


VIEW B-B

HYDRAULIC LINES AND FITTINGS

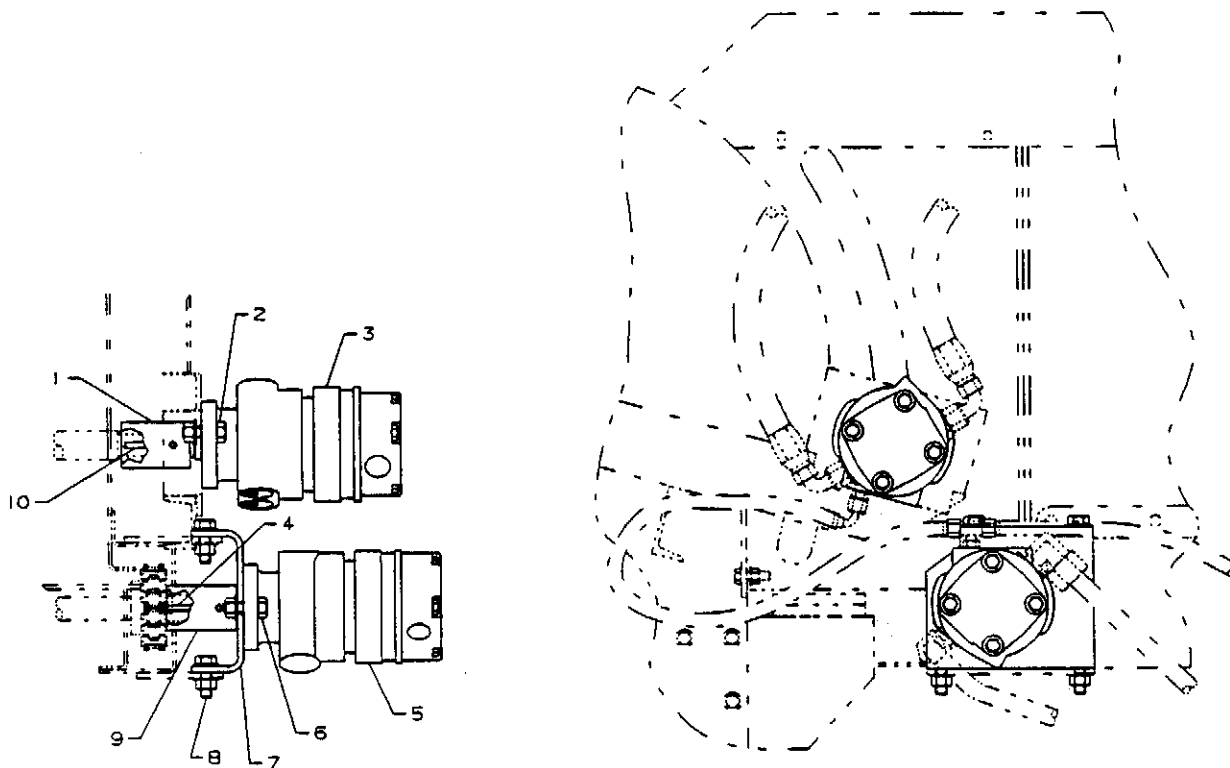
QTY	REF NO	PART NUMBER	PART NAME	QTY	REF NO	PART NUMBER	PART NAME
1	1	70501	TUBE AS.	1	17	19321	FITTING AS.
1	2	19425	FITTING AS.	1		6V9746	SEAL-FACE
2		6V9746	SEAL-FACE	2		302824	SEAL-PORT
1		2M9780	SEAL-PORT	18	18	19417	FITTING AS.
1	3	19417	FITTING AS.	1		6V9746	SEAL-FACE
1		6V9746	SEAL-FACE	1		302824	SEAL-PORT
1		302824	SEAL-PORT	19	19	70503	TUBE AS.
1	4	19422	FITTING AS.	1	20	70629	TUBE AS.
1		6V8398	SEAL-FACE	1	21	18627	FITTING AS.
1		3K0360	SEAL-PORT	1		6V9746	SEAL-FACE
1	5	70629	TUBE AS.	1		302824	SEAL-PORT
1	6	18627	FITTING AS.	1	22	18627	FITTING AS.
1		6V9746	SEAL-FACE	1		6V9746	SEAL-FACE
1		302824	SEAL-PORT	1		302824	SEAL-PORT
1	7	19421	FITTING AS.	1	23	70668	TUBE AS.
1		6V9746	SEAL-FACE	1		15285	SEAL-FACE
1		2M9780	SEAL-PORT	1	24	70635	TUBE AS.
1	8	18627	FITTING AS.	1	25	70634	TUBE AS.
1		6V9746	SEAL-FACE	1	26	19424	FITTING AS.
1		302824	SEAL-PORT	2		6V9746	SEAL-FACE
1	9	18627	FITTING AS.	1		302824	SEAL-PORT
1		6V9746	SEAL-FACE	1	27	70630	TUBE AS.
1		302824	SEAL-PORT	1	28	19358	FITTING AS.
1	10	70506	TUBE AS.	1		302824	SEAL-PORT
1	11	18627	FITTING AS.	1	29	19424	FITTING AS.
1		6V9746	SEAL-FACE	2		6V9746	SEAL-FACE
1		302824	SEAL-PORT	1		302824	SEAL-PORT
1	12	70505	TUBE AS.	1	30	19426	FITTING AS.
2	13	19426	FITTING AS.	2		6V9746	SEAL-FACE
2		6V9746	SEAL-FACE	1		302824	SEAL-PORT
1		302824	SEAL-PORT	1	31	19422	FITTING AS.
1	14	70504	TUBE AS.	1		6V8398	SEAL-FACE
1	15	19424	FITTING AS.	1		3K0360	SEAL-PORT
2		6V9746	SEAL-FACE	1	32	70502	TUBE AS.
1		302824	SEAL-PORT				
1	16	18627	FITTING AS.				
1		6V9746	SEAL-FACE				
1		302824	SEAL-PORT				

HYDRAULIC PUMP AND MOTOR GROUP



QTY	REF NO	PART NUMBER	PART NAME	QTY	REF NO	PART NUMBER	PART NAME
	1	21951	PUMP W/KEYWAY	1			
		24241	KEY 3/16 X 3/16 X 1.6				
	2	22502	BOLT 7/16-14 X 1.5 GR5	2			
		24185	WASHER 7/16 HARD				
		23472	NUT 7/16-14	2			
	3	21955	COUPLING HUB 3/4	1			
		24091	SET SCREW	1			
	4	21956	SPIDER	1			
	5	21954	COUPLING HUB 7/8	1			
		24091	SET SCREW	1			
	6	70277	MOTOR MOUNT	1			
	7	22535	BOLT 1/2-13 X 1.5 GR5	4			
		24178	WASHER 1/2 HARD	8			
		23473	NUT 1/2-13	4			
	8	23801	KEY 1/4 X 1/4 X 1.5	1			
	9	70279	CHANNEL	1			
	10	23246	BOLT 1/2-13 X 1.25 GR8	4			
		24178	WASHER 1/2 HARD	4			

HYDRAULIC PUMP AND MOTOR GROUP



INDEX	REF NO	PART NUMBER	QTY	PART NAME	INDEX	REF NO	PART NUMBER	QTY	PART NAME
	1	21953	1	COUPLING					
		23944	2	SET SCREW 5/16-18 X .312 HEX					
	2	22535	2	BOLT 1/2-13 X 1.5 GR5					
		23545	2	WASHER 1/2 LOCK					
		23473	2	NUT 1/2-13					
	3	21952	1	MOTOR					
		24245	1	KEY 1/4 X 1/4 X 1					
	4	17987	1	KEY 1/4 X 1 WOODRUFF					
	5	21952	1	MOTOR					
		24245	1	KEY 1/4 X 1/4 X 1					
	6	22535	2	BOLT 1/2-13 X 1.5 GR5					
		23545	2	WASHER 1/2 LOCK					
		23473	2	NUT 1/2-13					
	7	69988	1	CHANNEL, MOTOR MOUNT					
	8	22535	4	BOLT 1/2-13 X 1.5 GR5					
		24178	4	WASHER 1/2 HARD					
		23545	4	WASHER 1/2 LOCK					
		23473	4	NUT 1/2-13					
	9	21953	1	COUPLING					
		23944	2	SET SCREW 5/16-18 X .312 HEX					
	10	17987	1	KEY 1/4 X 1 WOODRUFF					

